



DEARBORN
LOADERS

STANDARD
HEAVY DUTY
REAR MOUNTED
CRANE ATTACHMENT
REAR END CRANE

MASTER PARTS BOOK



MARCH 1952

DEARBORN MOTORS CORPORATION - BIRMINGHAM, MICHIGAN

www.ntractorclub.com

DEARBORN *Loaders*

MASTER PARTS BOOK

PREFACE

The purpose of this Parts Books is to present, in convenient group sequence, a listing of all parts which may be required to service Dearborn Loaders.

This Parts Book is divided into four Groups. Group 1 covers the Dearborn Standard and Heavy Duty Loaders, Models 19-21, 19-22 and 19-23, Group 2 the Dearborn Rear Mounted Loader, Model 19-29, Group 3 the Dearborn Crane Attachment, Model 19-33 and Group 4 the Dearborn Rear End Crane, Model 22-53.

MARCH, 1952

DEARBORN MOTORS CORPORATION
2500 EAST MAPLE ROAD, BIRMINGHAM, MICHIGAN

COPYRIGHT 1952, DEARBORN MOTORS CORPORATION, BIRMINGHAM, MICHIGAN

GENERAL INFORMATION

To insure simplicity and in keeping with a uniform system of parts book preparation this book has been compiled and arranged according to six major divisions as follows:

GENERAL INFORMATION—This division contains an explanation of the features of this catalog plus instructions and examples as to how the catalog may be most efficiently used.

GROUP INDEX—This division contains a list of the main groups and sub-groups into which the Parts List has been separated, together with the page number on which each of these groups appear.

ILLUSTRATION INDEX—This division lists the figure numbers, titles and page numbers on which each illustration may be found.

ALPHABETICAL INDEX—This division contains an alphabetical listing of all parts together with the Group numbers in which each part may be found.

PARTS LIST—This division, which makes up the body of the catalog, lists all the parts which are available for service replacement, and indicates the part number and name of each, as well as the quantity required per unit.

In order to simplify the locating of parts, this division has been broken down into main groups and sub-groups as listed in the Group Index on Page 4. For example, Group 2 covers the Dearborn Rear Mounted Loader, Model 19-29, and has been broken down into three sub-groups as follows:

- Group 2-1 Frame Assembly
- Group 2-2 Bucket Assembly
- Group 2-3 Hydraulic Booster Assembly

To further simplify the locating of parts in the Parts List and to insure positive identification of the part or parts required an Exploded View Illustration has been placed at the beginning of each sub-group. These illustrations are actual photographs of the various assemblies, sub-assemblies and attaching parts listed in each sub-group. Each part in every illustration has been given an item number which ties it up directly with its respective part number in the Parts List.

NUMERICAL INDEX—This division contains a List of all parts in numerical order, together with their part name and page number on which each part may be found.

INSTRUCTIONS FOR LOCATING PARTS WITHIN THIS PARTS BOOK

By using the various indexes, illustrations and the grouping system employed in this book any part may be easily located. For example:

1. If only the name or description of the part is known—
 - a. Turn to the Alphabetical Index and locate the part by description of name in alphabetical sequence.
 - b. Turn to the Group number listed and locate the desired part in the Parts List.

2. If only the function of the part is known—
 - a. Turn to the Group Index or the model illustrations in the front of the book and ascertain the group in which the part is most likely to appear in the Parts List.
 - b. Turn to the indicated group and refer to the illustration preceding that group and locate the desired part on that illustration.
 - c. Ascertain the item number of the part desired and locate the item number on the immediately following Parts List by using the illustration reference column.
3. If only the part number is known—
 - a. Turn to the Numerical Index and locate the part in numerical sequence.
 - b. Turn to the page number listed and locate the desired part in the Parts List.

NOTE:

The following examples are offered to show the ease and simplicity with which parts may be located in this book.

- (1) For example, if the parts order clerk or a mechanic wishes to ascertain the part number of the drive shaft for the Heavy Duty Loader he can first turn to the Alphabetical Index which lists the part he is looking for as Shaft, drive, to be found in Group 1-6. By turning to Group 1-6 he will find the part number of the part required to be 192165.

If he is in doubt as to whether the part he has found is the correct part a check can be made by referring to the illustrations as indicated by the figure number and item number shown in the Illustration Reference Column.

- (2) For another example, if he wishes to locate the same part but he does not know the correct name of the part, but does know it is part of the Hydraulic Pump and Drive Parts, he can refer to the Group Index on Page 4. In this Index he will find the Hydraulic Pump and Drive Parts to be in Group 1-6 located on Page 19. On turning to this page he will find an Exploded View Illustration of the Hydraulic Pump and Drive Parts heading up this group. By referring to this Illustration he will find the part he wants to be item No. 26. By referring to the Illustration Reference column in the Parts List directly following the illustration he will find the part number listed after item No. 26 to be 192165.

It would also be possible to locate the group which this part was in by referring to the model illustrations in the front part of the book. Here on Figure 2 he will find the Hydraulic Pump and Drive Parts he is looking for with an arrow pointing to it designating that this part can be found in Group 1-6. When the group number has been determined the same procedure of locating the part on the illustration and Parts List in Group 1-6 could be followed as outlined in the previous paragraph.

- (3) If the part number of the drive shaft required is known to be 192165 the number can simply be looked up in the Numerical Index on Page 46. Here again he will find the part he is looking for can be found on Page 19.

It is felt that by careful study of the instructions and examples outlined above and then by putting them to practice when using the book that you will find this Parts Book extremely simple to use as well as concise and complete in every way.

GROUP INDEX

Group No.	Name	Page No.
1	DEARBORN STANDARD LOADER, Model 19-21	13
1	DEARBORN HEAVY DUTY LOADER, Model 19-22	13
1	DEARBORN HEAVY DUTY LOADER w/HYDRAULIC CONTROL, Model 19-23	13
1-1	Frame and Lift Arm Assembly For Models 19-21, 22 and 23	13
1-2	Hydraulic Cylinder Assembly For Models 19-21, 22 and 23	14
1-3	Bucket Assemblies For Models 19-21, 22 and 23	15
1-4	Hydraulic Attachments For Model 19-21	16
1-5	Bucket Release Assembly For Models 19-21 and 22	17
1-6	Hydraulic Pump and Drive Parts For Models 19-22 and 23	19
1-7	Control Valve and Hydraulic Lines For Model 19-22	22
1-8	Control Valve and Hydraulic Lines For Model 19-23	24
1-9	Hydraulic Bucket Control Cylinder Attachments For Model 19-23	26
1-10	Hydraulic Bucket Control Cylinder Assembly For Model 19-23	28
1-11	Standard to Heavy Duty Loader Conversion Kit Model 19-26	31
1-12	Hydraulic Bucket Control Attachment, Conversion Kit Model 19-28	35
1-13	Standard to Heavy Duty Loader w/Hydraulic Bucket Control, Conversion Kit Model 19-27	37
2	DEARBORN REAR MOUNTED LOADER, Model 19-29	39
2-1	Frame Assembly	39
2-2	Bucket Assembly	41
2-3	Hydraulic Booster Assembly	43
3	DEARBORN CRANE ATTACHMENT, Model 19-33	44
4	DEARBORN REAR END CRANE, Model 22-53	45

ILLUSTRATION INDEX

Figure No.	Name	Page No.
1	Dearborn Standard Loader, Model 19-21	8
2	Dearborn Heavy Duty Loader, Model 19-22	9
3	Dearborn Heavy Duty Loader w/Hydraulic Bucket Control, Model 19-23	10
4	Dearborn Rear Mounted Loader, Model 19-29	11
5	Frame and Lift Arm Assembly	12
6	Hydraulic Cylinder Assembly	14
7	Bucket Assemblies	15
8	Hydraulic Attachments	16
9	Bucket Release Assembly	17
10	Hydraulic Pump and Drive Parts	18
11	Control Valve and Hydraulic Lines	22
12	Control Valve and Hydraulic Lines	24
13	Hydraulic Bucket Control Cylinder Attachments	26
14	Hydraulic Bucket Control Cylinder Assembly	28
15	Standard to Heavy Duty Loader Conversion Kit	30
16	Hydraulic Bucket Control Attachment for Heavy Duty Loader	34
17	Frame Assembly	38
18	Bucket Assembly	41
19	Hydraulic Booster Assembly	42
20	Dearborn Crane Attachment	44
21	Dearborn Rear End Crane	45

ALPHABETICAL INDEX

PART NAME	GROUP NO.	PART NAME	GROUP NO.
- A -		- G -	
ADAPTER, Hydraulic Hose	1-4, 1-6, 1-7, 1-8, 1-11, 1-12	GASKET, Adapter	1-8, 2-3
ADAPTER, Hydraulic Pump	2-3	GASKET, Barrel	1-8
ANGLE, Pump Mounting	1-6, 1-11	GASKET, Valve Cap	1-7, 1-8
ARM ASSEMBLY, Loader	1-1	GLAND, Packing	1-2, 1-10
ARM ASSEMBLY, Upper Control	2-1	- H -	
ARM, Lift	4	HEAD, Ram	1-9, 1-10, 1-12
ARM, Lower Control	2-1	HITCH, Attaching	2-3
- B -		HOSE, Hydraulic	1-4, 1-6, 1-7, 1-9, 1-11, 1-12, 2-3
BAR, Latch	1-5	HOSE, Outlet	1-6, 1-7, 1-8, 1-11
BARREL & PISTON ASSEMBLY	1-8	HOUSING, Rotor	1-6
BEARING, Drive Shaft	1-6	HUB ASSEMBLY, Pump	1-6, 1-11
BLOCK, Rubber	1-6	- I -	
BODY, Pump	1-6	INSERT, Rubber Block	1-6
BOLT, Hub	1-11	- K -	
BOLT, Pump	1-6	KNOB, Control Valve Lever	1-7, 1-11
BOLT, Sheave	1-11	- L -	
BOLT, Valve	1-7, 1-11	LEVER, Control Valve	1-7, 1-8, 1-11, 1-12
BONNET, Spring	1-8	LEVER, Release	1-5
BOOM, Crane Attachment	3	LINK, Chain Attaching	2-1
BOOM, Rear End Crane	4	LINK, Latch	1-5
BOX, Stuffing	1-2	LINK, Lever to Spool	1-8, 1-12
BRACE, Lifting Strut Cross	2-1	LINK, Locking	2-1
BRACKET, Cylinder	1-12, 2-3, 2-4	LINK, Valve to Lever	1-7, 1-11
BRACKET, Keeper	1-4	- N -	
BRACKET, Mounting, Axle	1-1	NIPPLE, Orifice	1-7, 1-8, 1-11, 1-12
BRACKET, Mounting, Cylinder	1-9	NIPPLE, Pipe	1-4, 1-6, 1-11, 1-12, 1-13
BRACKET, Mounting, Valve	1-8	NUT, Flared Tube	2-3
BRACKET, Pipe	1-4	NUT, Packing	1-2, 1-10
BUCKET ASSEMBLY	1-3, 2-2	- P -	
BUMPER, Loader	1-6, 1-11	PACKING, Cylinder Yoke	1-10
BUSHING, Reducing	1-6, 1-11	PACKING, Stuffing Box	1-2
- C -		PIN & CLIP	1-1, 1-12, 1-13
CAP, Pipe	1-1	PIN, Bar Link	1-5
CAP, Valve	1-7, 1-8	PIN, Bucket Anchor	1-1
CAPSCREW, Pump	1-6	PIN, Clevis	2-1, 2-3
CHAIN, Attaching Strap Link	2-3	PIN, Cylinder Bracket	2-3
CLAMP ASSEMBLY	1-7, 1-8, 1-9, 1-11, 1-12	PIN, Dowel, Pump	1-6, 1-11
CLAMP, Hose	1-6, 1-7, 1-8, 1-11	PIN, Latch	1-5
CLIP, Tube	2-3	PIN, Latch Pin	1-5
COLLAR, Trunnion Shaft	1-1	PIN, Link	1-7, 1-8, 1-11, 1-12
CONNECTION, Oil Line	1-4	PIN, Pivot, Cylinder	1-9, 1-12
COUPLING ASSEMBLY	1-6	PIN, Pivot, Lever	1-8, 1-12
COUPLING, Pipe	1-8, 1-12	PIN, Pivot, Ram	1-9, 1-10, 1-12
COUPLING, Reducing	1-9, 1-12	PIN, Pivot, Valve	1-7, 1-11
COVER, Pump	1-6	PIN, Pump	1-6
CRADLE, Bucket	2-1	PIPE, Bucket Cylinder	1-9, 1-12
CUP, Piston	1-10	PIPE, Bucket Cylinder Feedline	1-8, 1-9, 1-12
CYLINDER ASSEMBLY, Hydraulic Booster	2-3	PIPE, Elbow to Connection	1-4
CYLINDER ASSEMBLY, Hydraulic Bucket Control	1-9, 1-10, 1-12	PIPE, Equalizer	1-7, 1-8, 1-11
CYLINDER ASSEMBLY, Hydraulic Hoist	1-2	PIPE, Extension	1-7, 1-8, 1-11
- E -		PIPE, Feedline	1-7
ELBOW, Pipe	1-4, 1-6, 1-11	PIPE, Frame to Hose	1-7, 1-8, 1-11, 1-12
ELL, Street	1-6, 1-7, 1-8, 1-9, 1-11, 1-12	PIPE, Frame to Pump	1-11
- F -		PIPE, High Pressure Feedline	1-8, 1-11
FLANGE ASSEMBLY, Pump	1-6	PIPE, Hose to Tee	1-4
FOLLOWER & BALL ASSEMBLY	1-7		
FOLLOWER, Piston	1-8		
FRAME ASSEMBLY	1-1, 2-1		

ALPHABETICAL INDEX (Cont'd)

PART NAME	GROUP NO.	PART NAME	GROUP NO.
PIPE, Pump	1-6	SPACER, Spool	1-8
PIPE, Valve Inlet	1-8, 1-12	SPACER, Valve	1-7
PIPE, Valve to Hose	1-7, 1-11	SPRING, Check Valve	1-7
PIPE, Valve to Tee	1-4, 1-11	SPRING, Latch Pin	1-5
PLATE ASSEMBLY, Material	2-2	SPRING, Pressure Plate	1-6
PLATE, Latch	2-2	SPRING, Relief Valve	1-7, 1-8
PLATE, Mounting	1-7, 1-8, 1-11	SPRING, Return, Latch Yoke	2-1
PLATE, Pressure	1-6	SPRING, Valve Spool	1-7; 1-8
PLATE, Suspension	1-1, 1-6	STOP, Shaft	1-2
PLUG, Pipe	1-1, 1-7	STRUT, Lifting	2-1
PUMP ASSEMBLY	1-6, 1-11		
		- T -	
- R -		TEE, Pipe	1-4, 1-7, 1-8, 1-11
RETAINER, Valve Spring	1-8	TEE, Tubing	2-3
RING, "O", Cylinder	1-2	TINE, Bucket	2-2
RING, "O", Pump	1-6	TUBE ASSEMBLY	2-3
RING, "O", Valve	1-7, 1-8		
RING, Sealing, Pump	1-6	- U -	
RING, Snap	1-6	U-BOLT, Bracket	1-4
ROD, Guide	3	U-BOLT, Bumper	1-6, 1-11
ROD, Release	1-5	U-BOLT, Lever	1-5
ROD, Support	2-3	U-BOLT, Valve Mounting Plate	1-7, 1-8, 1-11
ROD, Tie	2-1	UNION, Pipe	1-7, 1-8, 1-11
ROLLER, Latch Yoke	2-1		
ROTOR, Pump	1-6	- V -	
		VALVE ASSEMBLY, Control	1-7, 1-8, 1-11, 1-12
- S -		VALVE ASSEMBLY, Shut-Off	1-4
SCREW, Valve	1-8	VALVE, Relief	1-4
SEAL ASSEMBLY, Oil, Valve	1-8	VANE, Rotor	1-6
SEAL, Drive Shaft Bearing	1-6		
SEAL, Oil, Pump	1-6	- W -	
SEAL, Oil, Valve	1-7	WASHER, Cylinder	2-3
SET SCREW, Pump	1-6	WASHER, Piston Cup	1-10
SHAFT, Booster Cylinder	2-3	WASHER, Pump	1-6
SHAFT, Bucket Cylinder	1-10	WASHER, Spacer	1-6
SHAFT, Cross	3	WASHER, Trunnion Shaft	1-1
SHAFT, Drive, Pump	1-6	WASHER, Valve	1-7, 1-8
SHAFT, Drive, Sheave	1-6, 1-11	WIPER, Cylinder	2-3
SHAFT, Hoist Cylinder	1-2	WIPER, Packing Nut	1-2, 1-10
SHAFT, Lift Arm Trunnion	1-1		
SHEAVE, Drive	1-6, 1-11	- Y -	
SLEEVE, Bucket	1-3	YOKE, Cylinder	1-10
SLEEVE, Ram Head	1-9, 1-12	YOKE, Latch	2-1
SLIDE, Relief Valve	1-7		
SPACER, Piston Cup	1-10		
SPACER, Rear End Loader	2-1		

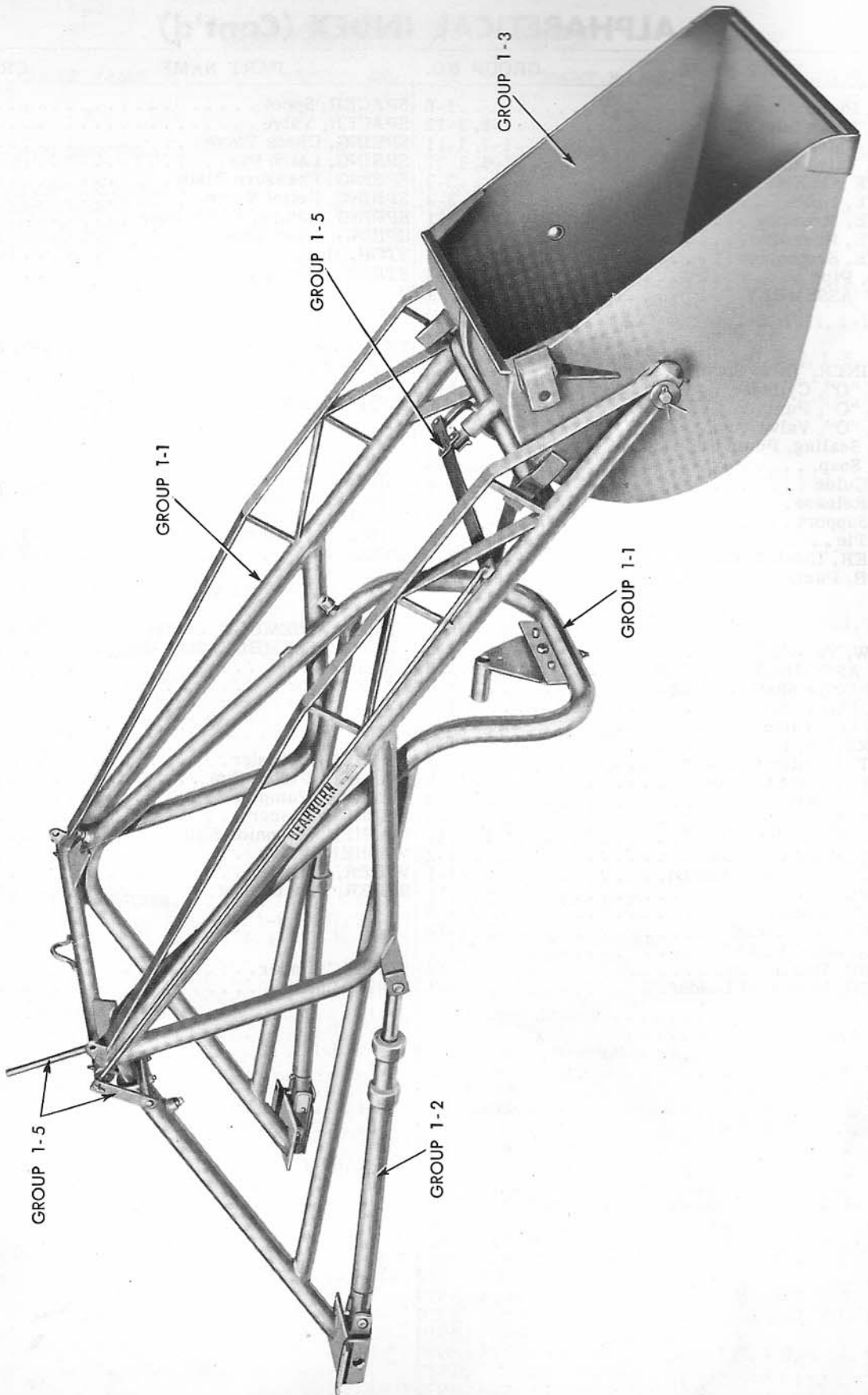


Figure 1 - Dearborn Standard Loader Model 19-21

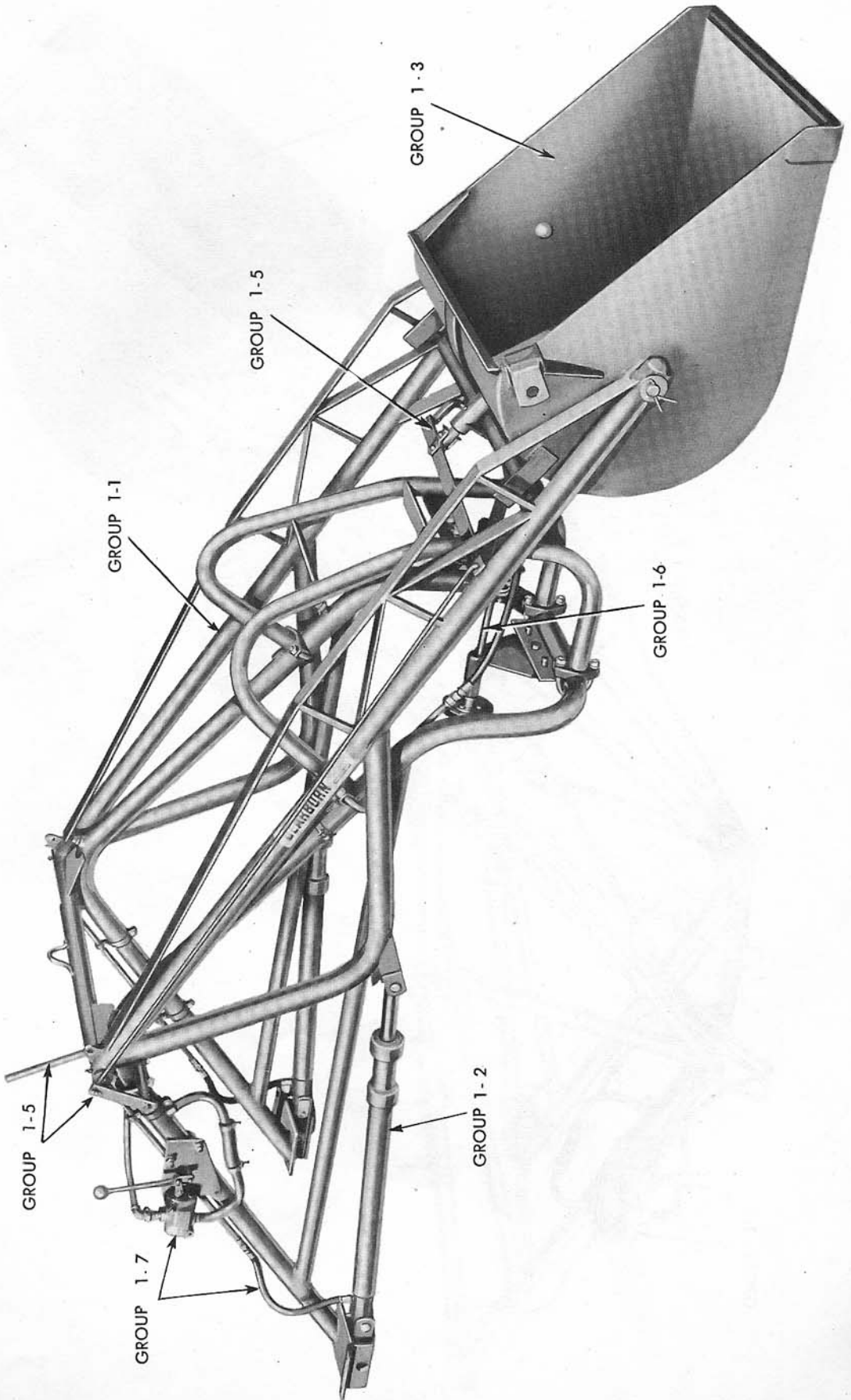


Figure 2 - Dearborn Heavy Duty Loader Model 19-22

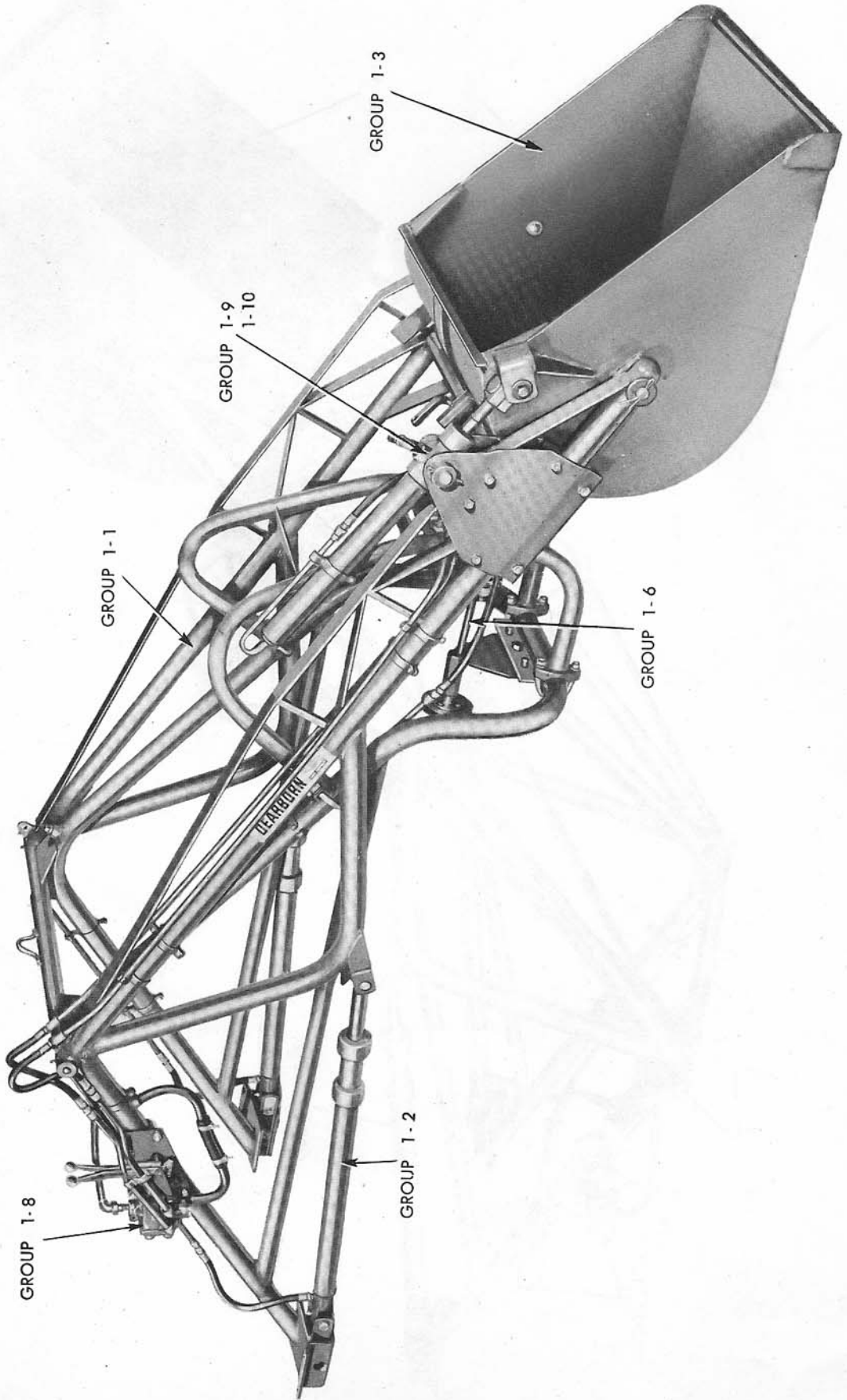


Figure 3 - Dearborn Heavy Duty Loader w/Hydraulic Bucket Control Model 19-23

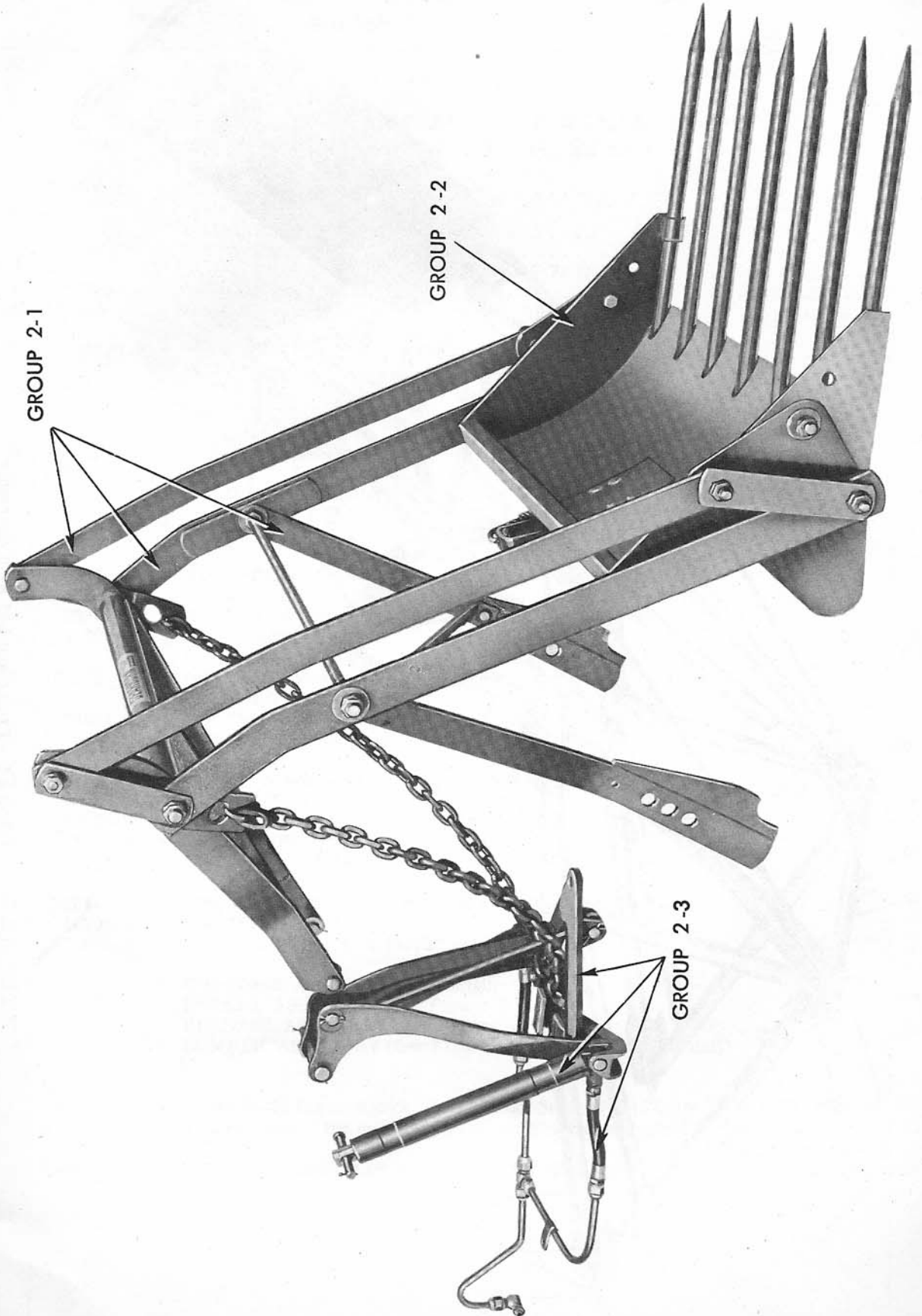


Figure 4 - Dearborn Rear Mounted Loader Model 19-29

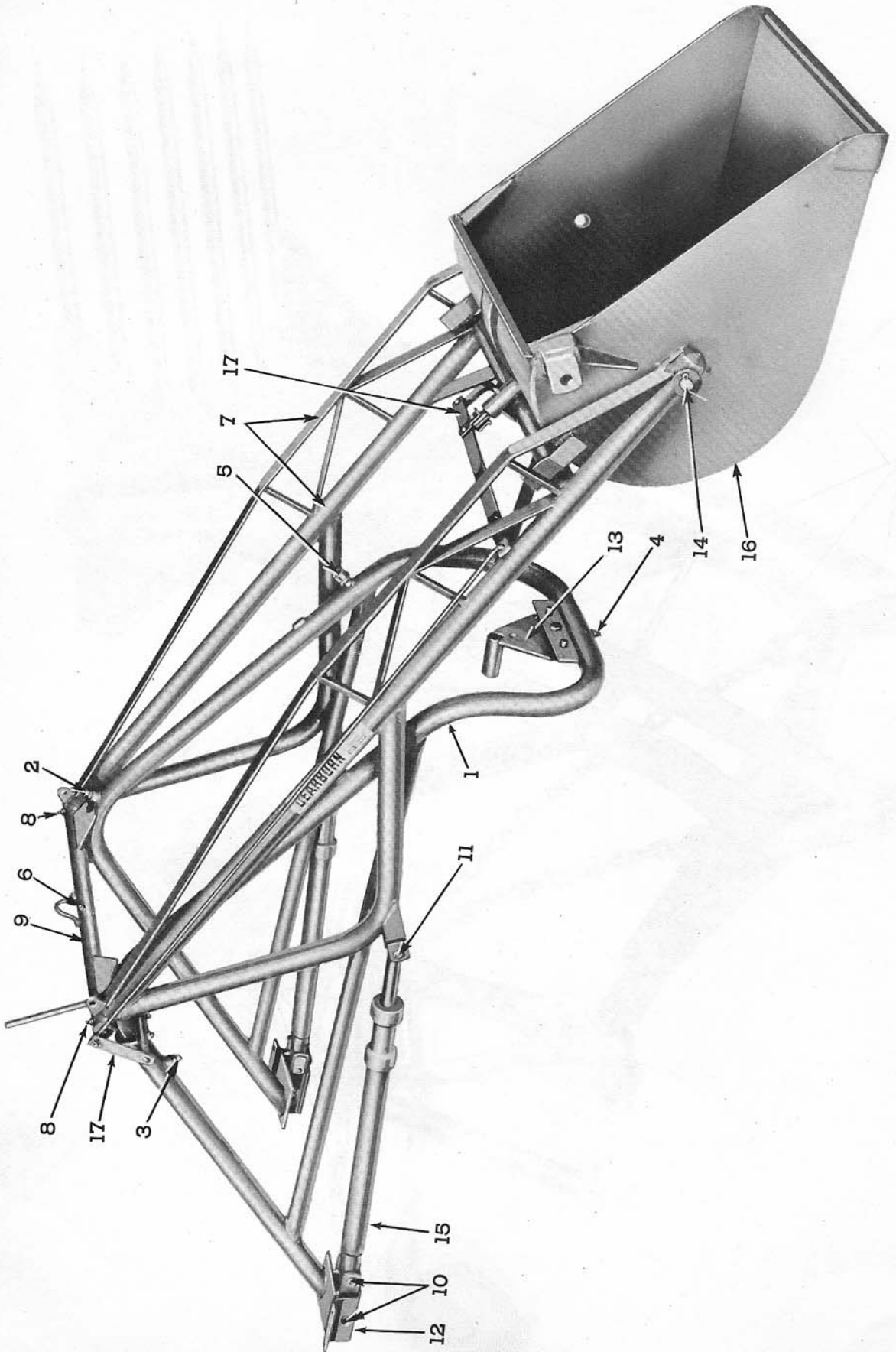


Figure 5 - Frame and Lift Arm Assembly

Group 1—DEARBORN LOADERS Models 19-21, 19-22, 19-23

FIG. 5	PART NO.	NAME AND DESCRIPTION	QTY. REQ.
Group 1-1—FRAME AND LIFT ARM ASSEMBLY (For Models 19-21, 22 and 23)			
1	193603	FRAME, Main (Welded Assembly)	1
-	190488	PLUG, Pipe, 1/8" - Air Vent	1
2	190487	PLUG, Pipe, 3/4" - Oil Filler	1
3	190487	PLUG, Pipe, 3/4" - Oil Inlet (Model 19-21 Only)	1
4	358039-S	PLUG, Pipe, 3/8" - Oil Drain.	1
5	192521	CAP, Pipe, 3/4" - Oil Return (Model 19-21 Only).	1
6	353027-S	FITTING, Lube, 1/8"-27 Str. - Lift Arm Trunnion.	1
7	191463	ARM ASSEMBLY, Loader Consists of Welded Arm which is not serviced separately, plus items listed below:	1
8	87901-S7-8	FITTING, Lube, 1/8"-27 - Lift Arm	2
9	192580 *	SHAFT, Trunnion, Lift Arm - 1-1/2" x 39-3/4".	1
-	192583	COLLAR, Trunnion Shaft.	1
-	192251	WASHER, 1-9/16" Flat - Shaft, Between Arm and Frame	2
-	72161-S	COTTER PIN, 1/4" x 2-3/4" - Collar to Shaft.	1
10	190377	PIN & CLIP, Anchor (Welded Assembly) (Pin Lgth. 3-3/4")	4
11	191360	PIN & CLIP, Anchor (Welded Assembly) (Pin Lgth. 2-7/8")	2
--	20310-S	BOLT, 5/16"-18 x 1/2" Hex Hd. } Anchor Pin	6
--	34806-S	LOCKWASHER, 5/16" }	
12	191338	BRACKET, Mounting, Axle (Welded Assembly)	2
--		BOLT, 5/8"-11 x 1-1/2" Sq. Hd. } Fender to Mounting Bracket.	4
--	34811-S	LOCKWASHER, 5/8" }	
--		NUT, 5/8" - 11 Square }	
13	192153	PLATE, Suspension (Welded Assembly)	1
--		BOLT, 5/8"-18 x 1-5/8" Hex. Hd.) } Plate to Frame.	1
--	44742-S	WASHER, 5/8" Flat }	3
--	34811-S	LOCKWASHER, 5/8" }	1
--	33806-S	NUT, 5/8" - 18 Hex. }	1
14	192544	PIN, Anchor, Bucket (Rivet 1" x 4-1/2" Rd. Hd. Drld.)	2
14	44756-S	WASHER, 1" Flat.	2
14	72075-S	COTTER PIN, 1/4" x 1-1/2" - Anchor Pin.	2
15		CYLINDER ASSEMBLY (See Figure 6)	
16		BUCKET ASSEMBLY (See Figure 7)	
17		RELEASE ASSEMBLY (See Figure 9)	
--		BUMPER ASSEMBLY (See Figure 15) (Model 19-22, 23 only)	
NOTE:			
*Effective on Model 19-21 Serial #3095, Model 19-22 Serial #12467, and Model 19-23 Serial #20969. Prior to the above, the following Trunnion Shaft was used:			
-	190495	SHAFT, Trunnion, Lift Arm - 1-1/2" x 39".	1

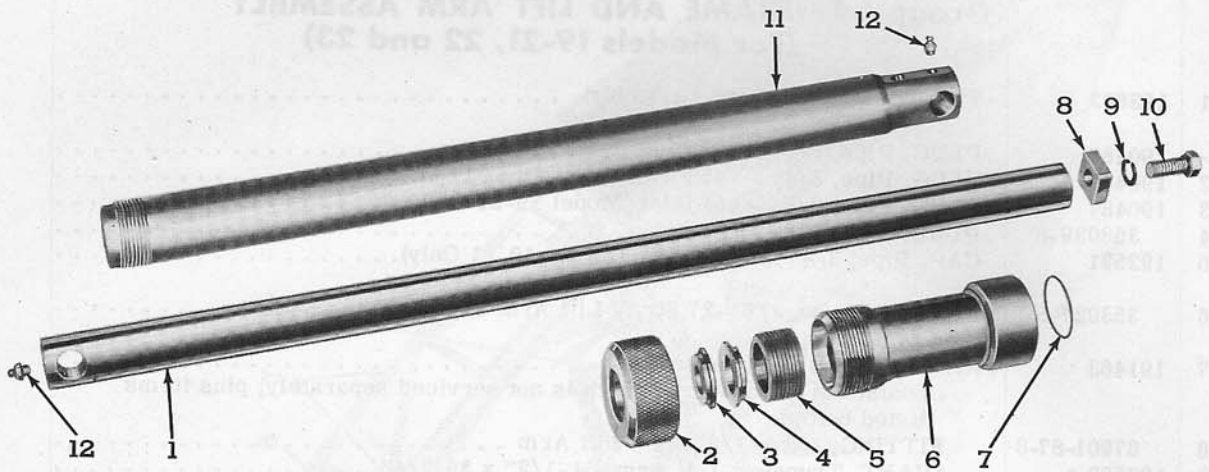


Figure 6 - Hydraulic Cylinder Assembly

FIG. 6	PART NO.	NAME AND DESCRIPTION	QTY. REQ.
		Group 1-2—HYDRAULIC CYLINDER ASSEMBLY (For Models 19-21, 22 and 23)	
-	192088	CYLINDER ASSEMBLY, Hydraulic Hoist	2
		Consists of:	
1	192125	SHAFT, Piston.	2
2	192132	NUT, Packing	2
3	192130	WIPER, Packing Nut (Leather)	2
4	192129	GLAND, Packing Nut Wiper	2
5	192150	PACKING, (Complete Set)	2
6	192127	BOX, Stuffing.	2
7	192131	RING, "0"	2
8	192126	STOP, Shaft.	2
9	34811-S	LOCKWASHER, 5/8"	2
10	21011-S	BOLT, 5/8"-18 x 1-1/2" Hex. Hd.	2
11	192122	CYLINDER (Welded Assembly)	2
12	353027-S	FITTING, Lube, 1/8"-27 Str. - Cylinder and Shaft	4

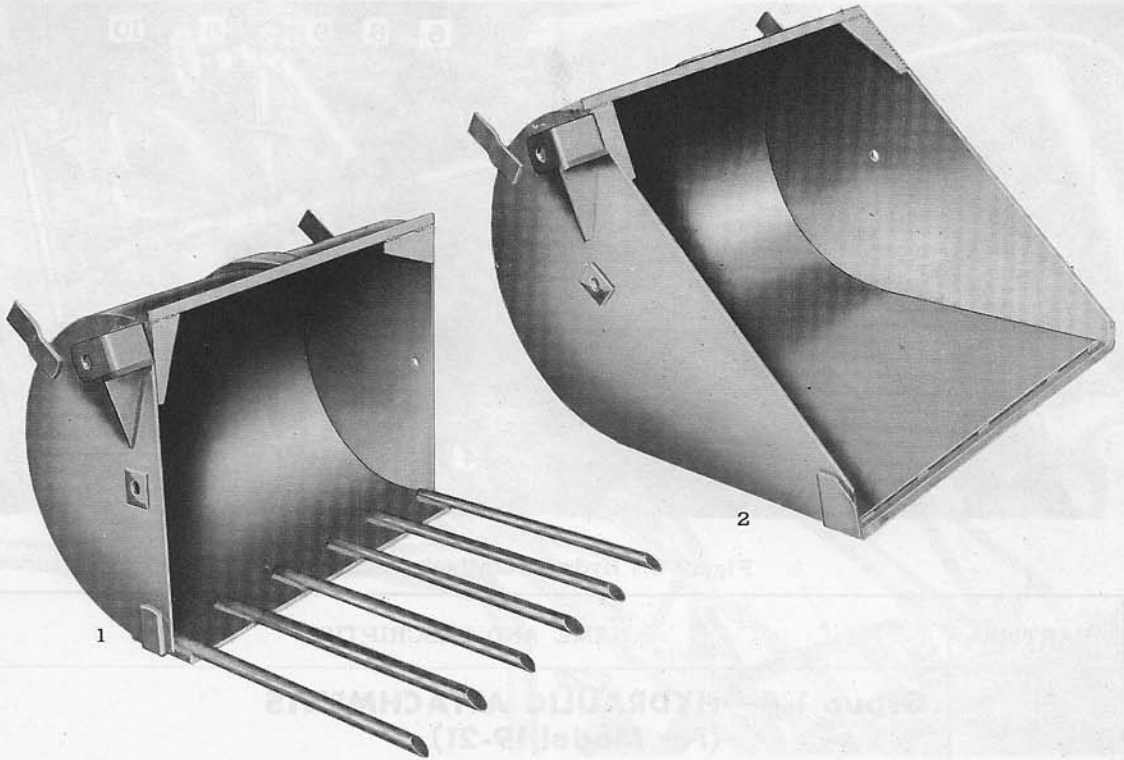


Figure 7 - Bucket Assemblies

FIG. 7	PART NO.	NAME AND DESCRIPTION	QTY. REQ.
Group 1-3—BUCKET ASSEMBLIES (For Models 19-21, 22 and 23)			
1	Model 19-32	BUCKET ASSEMBLY, Manure Fork Type.	1
2	Model 19-31	BUCKET ASSEMBLY, Material Type.	1
NOTE:			
The Bucket Assembly is considered to be optional equipment to the Loader and is governed by the customers required usage. Therefore, the Bucket is not furnished under the model numbers of the Loaders and should be ordered separately.			
When the Hydraulic Bucket Control Cylinder is used and it is necessary to replace the Bucket Assembly with Serial numbers prior to the following:			
Model 19-31 Bucket Assembly, Serial #5059			
Model 19-32 Bucket Assembly, Serial #3295			
It will be necessary to replace the Pin & Clip Assembly, Pt. No. 190337, that was previously used (Attaching the control cylinder to the Bucket) with the parts listed below:			
192551	Sleeve	(1)	} See Figure 13
34811-S	Bolt, 5/8"-11 x 5" Hex. Hd.	(1)	
33849-S	Lockwasher, 5/8"	(1)	
	Nut, 5/8"-11 Hex.	(1)	

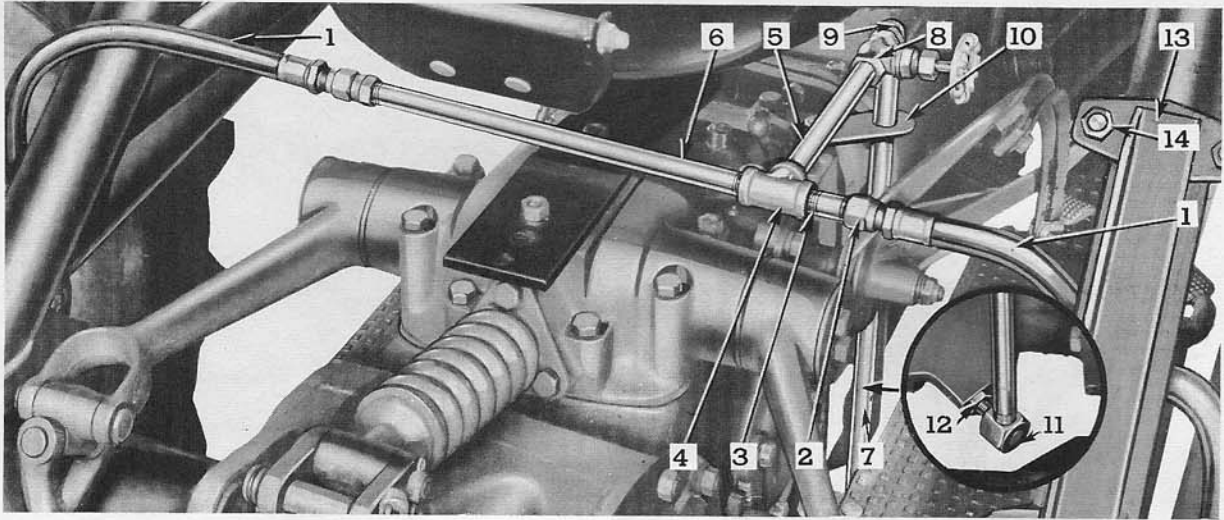


Figure 8 - Hydraulic Attachments

FIG. 8	PART NO.	NAME AND DESCRIPTION	QTY. REQ.
Group 1-4—HYDRAULIC ATTACHMENTS (For Model 19-21)			
1	192114	HOSE, Hydraulic, w/Male Couplings, 3/8"	2
2	192115	ADAPTER, Hydraulic Hose, Female, 3/8"	2
3	192091	NIPPLE, Pipe, 3/8" x 2" - Hose Adapter to Tee	1
4	193658	TEE, Pipe, 3/8"	1
5	192090	PIPE, Valve to Tee, 3/8" x 8-1/2"	1
6	192092	PIPE, Hose to Tee, 3/8" x 12"	1
7	192121	PIPE, Elbow to Connection, 3/8" x 18-1/2"	1
8	192116	VALVE ASSEMBLY, Shut-Off.	1
-	192107	NIPPLE, Close, 3/8" - Valve to Elbow.	1
9	192054	ELBOW, Pipe, 3/8" - 90°	1
10	190603	BRACKET, Pipe to Tractor	1
11	190600	CONNECTION, Oil Line (Banjo Fitting)	1
12	33846-S	NUT, 1/2" - 20 Hex. - Connection to Tractor	1
13	192181	BRACKET, Keeper, Tractor Lift Arm (Welded Assembly)	1
14	191475	U-BOLT, 1/2" - 13	2
-	34809-S	LOCKWASHER, 1/2" } Bracket to Frame	4
-	33845-S	NUT, 1/2" - 13 Hex. }	
-	21083-S	BOLT, 5/8"-18 x 2-1/4" Hex. Hd. }	
-	34811-S	LOCKWASHER, 5/8" }	1
-	33806-S	NUT, 5/8" - 18 Hex. }	
-	8 N-638	VALVE, Relief (Rear of Hydraulic Pump Housing on Tractor)	1

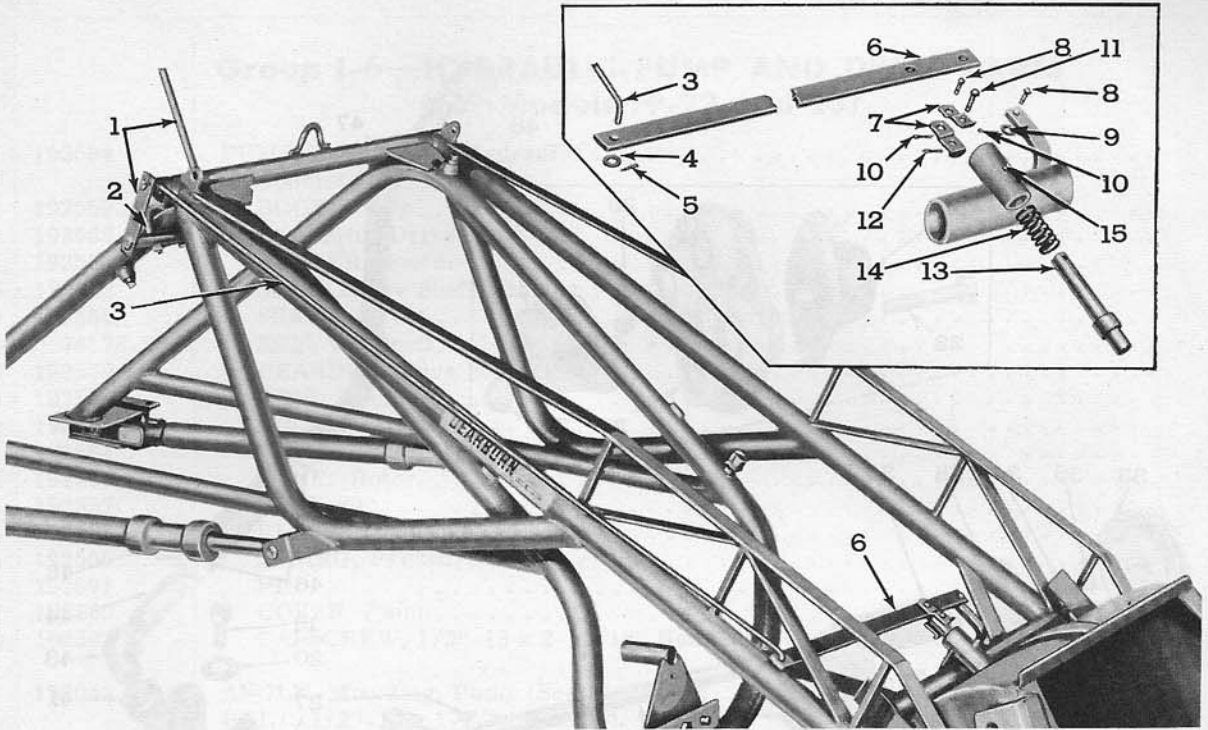


Figure 9 - Bucket Release Assembly

FIG. 9	PART NO.	NAME AND DESCRIPTION	QTY. REQ.
Group 1-5—BUCKET RELEASE ASSEMBLY (For Models 19-21 and 22)			
1	191356	LEVER, Release (Welded Assembly)	1
2	191475	U-BOLT, 1/2" - 13	1
-	33845-S	NUT, 1/2" - 13 Hex. } Lever to Frame.	2
-	34809-S	LOCKWASHER, 1/2" }	2
3	191363	ROD, Release	1
4	44728-S	WASHER, 3/8" Flat - Rod to Bar	1
5	72017-S	COTTER PIN, 1/8" x 3/4" - Rod to Bar and Lever	2
6	190331	BAR, Latch Control	1
7	190353	LINK, Latch	2
8	300116	PIN, 3/8" x 1" (Drld. Rivet)	1
8	192075	PIN, 3/8" x 1-1/4" (Drld. Rivet) } Bar to Links and Pivot Point	1
9	44728-S	WASHER, 3/8" Flat	2
10	72017-S	COTTER PIN, 1/8" x 3/4"	2
11	300115	PIN, 3/8" x 1-1/2" (Drld. Rivet) } Links to Latch Pin	1
12	72017-S	COTTER PIN, 1/8" x 3/4"	
13	190359	PIN, Latch	1
14	190339	SPRING, Latch Pin.	1
15	353027-S	FITTING, Lube, 1/8"-27 Str. - Latch Housing.	1

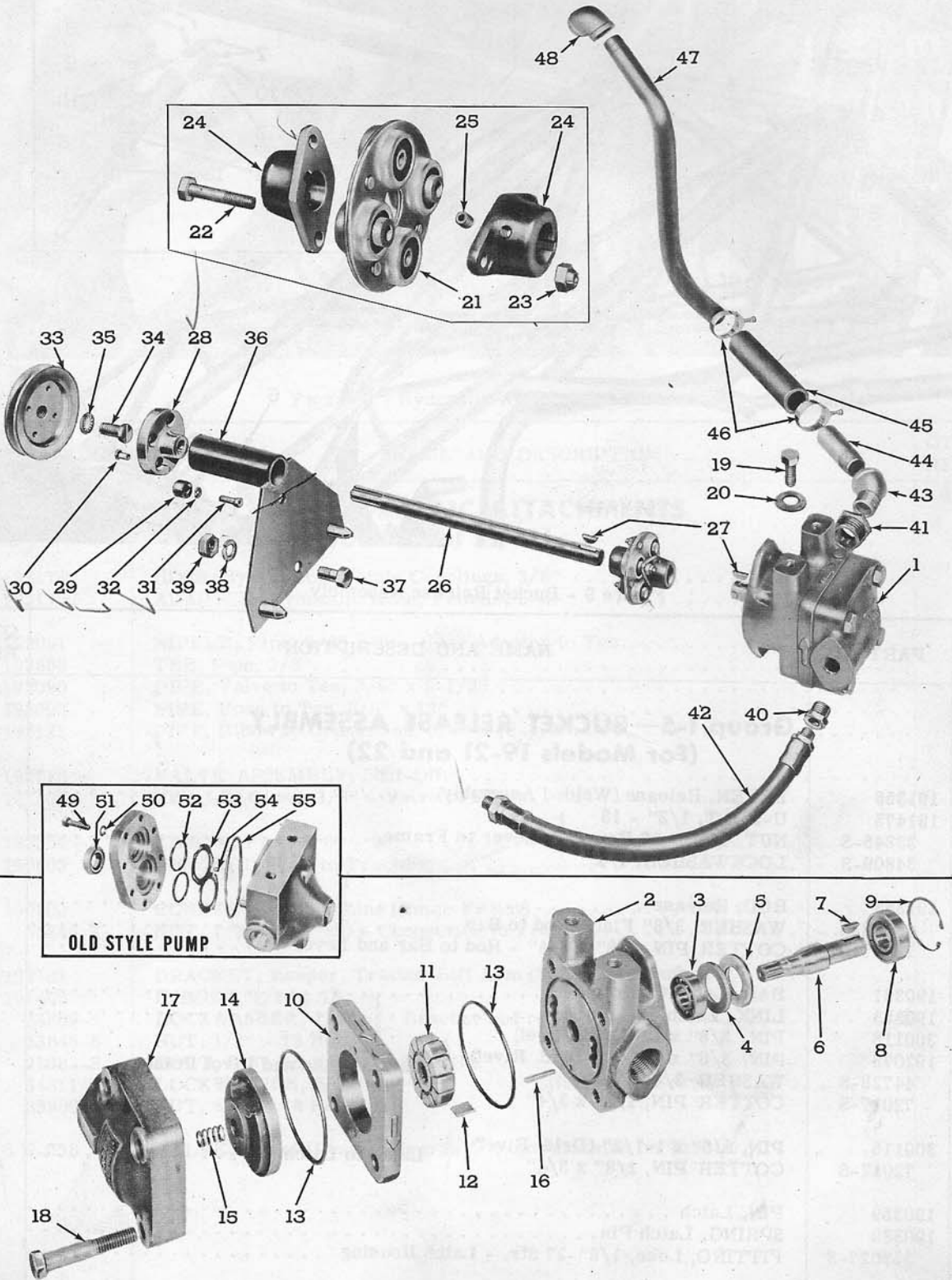


Figure 10 - Hydraulic Pump and Drive Parts

DEARBORN *Loaders*

FIG. 10	PART NO.	NAME AND DESCRIPTION	QTY. REQ.
Group 1-6—HYDRAULIC PUMP AND DRIVE PARTS (For Models 19-22 and 23)			
1	192504	PUMP ASSEMBLY, Hydraulic	1
		Consists of:	
2	192559	BODY, Pump.	1
3	192568	BEARING, Drive Shaft.	1
4	192558	WASHER, Spacer	1
5	192562	SEAL, Drive Shaft Bearing	1
6	192561	SHAFT, Drive	1
7	74178-S	KEY, Woodruff, 3/16 x 3/4, No. 9	1
8	192569	BEARING, Drive Shaft.	1
9	192589	RING, Snap	1
10	192563	HOUSING, Rotor.	1
11	192564	ROTOR, Pump.	1
12	192565	VANE, Rotor.	12
13	192557	RING, "0"	2
14	192555	PLATE, Pressure	1
15	192556	SPRING, Pressure Plate	1
16	192591	PIN	2
17	192560	COVER, Pump.	1
18	192592	CAPSCREW, 1/2"-13 x 2-11/16" Hex. Hd.	4
--	192043	ANGLE, Mounting, Pump (See Figure 15)	1
--		BOLT, 1/2"-13 x 1-1/2" Hex. Hd. } Angle to Bumper.	2
--	44736-S	WASHER, 1/2" Flat }	4
--	33845-S	NUT, 1/2" - 13 Hex. }	2
19		BOLT, 1/2"-13 x 1-1/4" Hex. Hd. } Pump to Mounting Angle.	2
20	44736-S	WASHER, 1/2" Flat }	
21	192169	COUPLING ASSEMBLY, Center (Riveted Assembly).	1
		Consists of Case w/Rubber Blocks and Inserts which are not serviced separately.	
22		BOLT, 5/16"-24 x 1-5/8" Hex. Hd. } Center Coupling to Flange.	4
23	34443-S	NUT, 5/16" - 24 Lock }	
24	192199	FLANGE ASSEMBLY	2
		Consists of Flange which is not serviced separately, plus Set Screws listed below:	
25	300353	SET SCREW, 1/4"-20 x 1/2" Cup Point, Socket Hd.	2
26	192165	SHAFT, Drive	1
27	74178-S	KEY, Woodruff, 3/16" x 3/4", No. 9 (One included w/Pump).	2
28	192161	HUB ASSEMBLY (Spline Shaft End)	1
		Consists of Hub which is not serviced separately, plus items listed below:	
29	190753	BLOCK, Rubber (Grommets)	4
30	192164	INSERT, Rubber Block (Bushing).	4
31	300376	BOLT, 1/4"-28 x 1" Socket Hd. } Hub to Sheave	4
32	34805-S	LOCKWASHER, 1/4" }	
33	192160	SHEAVE, Drive	1
--	192166	PIN, Dowel 1/4" x 3/4" - Sheave to Crankshaft	1
34	192167	BOLT, 5/8"-18 x 7/8", Slotted Hd. (Spec.) } Sheave to Crankshaft	1
35	34911-S	LOCKWASHER, 5/8" Internal Teeth }	
36	192153	PLATE, Suspension (Welded Assembly)	1
37	21195-S	BOLT, 5/8-18 x 1-5/8" Hex. Hd. } Plate to Frame	1
--	44742-S	WASHER, 5/8" Flat (Spacers) }	3
38	34811-S	LOCKWASHER, 5/8" }	1
39	33806-S	NUT, 5/8" - 18 Hex. }	1

DEARBORN *Loaders*

FIG. 10	PART NO.	NAME AND DESCRIPTION	QTY. REQ.
Group 1-6—HYDRAULIC PUMP AND DRIVE PARTS (For Models 19-22 and 23) (Cont'd)			
40	190607	BUSHING, Reducing, 1/2" to 3/8" - Pump, Right Side	1
41	192593	BUSHING, Reducer, 1" to 3/4"	1
42	192114	HOSE, Hydraulic, w/Male Couplings, 3/8"	1
--	192115	ADAPTER, Hydraulic Hose, Female, 3/8" - Hose to Pipe	1
43	192102	ELL, Street, 3/4" - 45° - Pump, Left Side	1
44	190395	NIPPLE, Pipe, 3/4" x 3"	1
45	190396	HOSE, Outlet, 1" x 6"	1
46	190314	CLAMP, Hose, w/SCREW (Aircraft Type)	2
47	192545	PIPE, Frame to Pump.	1
48	192520	ELBOW, Pipe 3/4" - 90°	1
--	191472	BUMPER, Loader (Welded Assembly) (See Figure 15)	1
--	191475	U-BOLT, 1/2" - 13	4
--	34809-S	LOCKWASHER, 1/2" } Bumper to Frame.	8
--	33845-S	NUT, 1/2" - 13 Hex. }	8
		*PUMP ASSEMBLY, Hydraulic.	1
		Consists of Body, Poppet Assembly, Gears, Gear Shafts, Wear Plates and Cover which are not serviced separately, plus items listed below:	
49	20426-S	BOLT, 5/16"-18 x 1-1/4" Hex. Hd. } Cover to Body.	8
50	34806-S	LOCKWASHER, 5/16"	
51	190371	SEAL, Oil	1
52	191181	RING, Sealing, Wear Plate	2
53	191182	WASHER, Tension	1
54	191183	PIN, Dowel, Wear Plate.	1
55	191184	RING, Sealing, Cover	1
NOTE:			
*The old style (Pesco) Pump is no longer serviced as a complete unit. Replaced by Part Number 192504 Pump Assembly.			
Interchangeable by adding a Bushing - Item 41.			

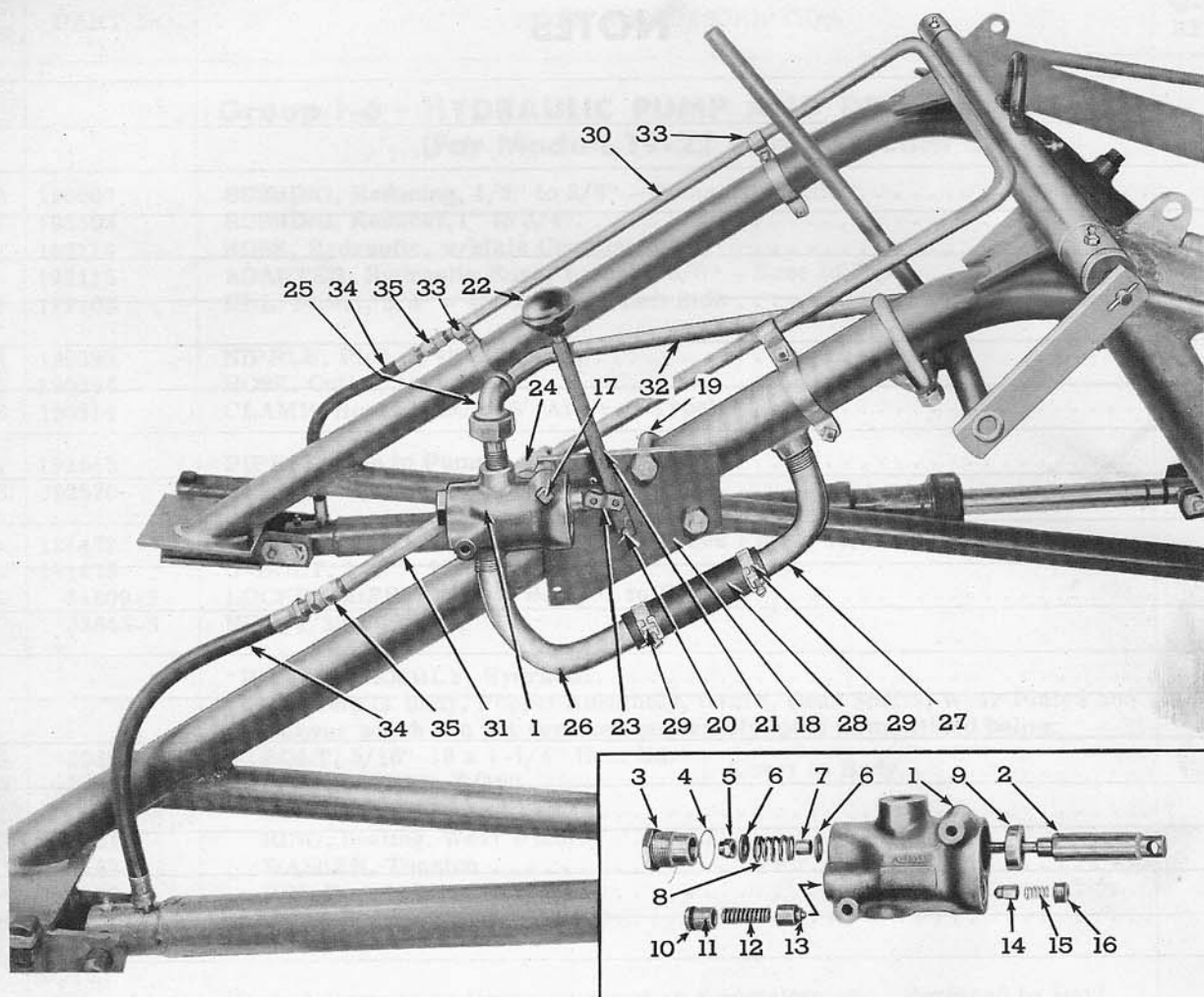


Figure 11 - Control Valve and Hydraulic Lines

FIG. 11	PART NO.	NAME AND DESCRIPTION	QTY. REQ.
		Group 1-7—CONTROL VALVE & HYDRAULIC LINES (For Model 19-22)	
1	191479	*VALVE ASSEMBLY, Control (Less Lever) Consists of Body and Spool which are not serviced separately, plus items listed below:	1
2		SPOOL	1
3	192282	CAP, Spool	1
4	192281	GASKET, Cap	1
5	34420-S2	NUT, 3/8"-24 Lock.	1
6	192207	WASHER, Flat, 3/8", 1/16" Thick.	2
7	192277	SPACER, 7/16" Long	1
8	192205	SPRING, Spool.	1
9	192269	SEAL, Oil.	1
10	192273	RING, "0", 9/16" ID x 3/4" OD.	1
11	192272	CAP, Relief Valve	1
12	192271	SPRING, Relief Valve	1
13	192270	SLIDE, Relief Valve	1
14	192264	FOLLOWER & BALL ASSEMBLY	1
15	192267	SPRING, Check Valve.	1
16	192268	PLUG, Pipe, 3/8" Socket Hd.	1
NOTE:			
*Order Rebuilt Exchange Valve under Part No. 191479-R.			

DEARBORN *Loaders*

FIG. 11	PART NO.	NAME AND DESCRIPTION	QTY. REQ.
Group 1-7—CONTROL VALVE & HYDRAULIC LINES (For Model 19-22) (Cont'd)			
17	300890	BOLT, 5/16"-18 x 3" Hex. Hd.	} Valve to Mounting Plate.
-	34806-S	LOCKWASHER, 5/16"	
-	33797-S	NUT, 5/16"-18 Hex.	
18	192046	PLATE, Mounting, Control Valve	1
19	191475	U-BOLT, 1/2"-13	} Mounting Plate to Frame
-	34809-S	LOCKWASHER, 1/2"	
-	33845-S	NUT, 1/2"-13 Hex.	
20	190365	PIN, Pivot, Valve Lever	} Pivot Pin.
-	33800-S	NUT, 3/8 -24 Hex.	
-	72017-S	COTTER-PIN, 1/8" x 3/4"	
21	191345	LEVER, Control Valve	1
22	190369	KNOB, Control Valve Lever	1
23	191362	LINK, Control Valve to Lever.	2
-	192171	PIN, Link (Rivet, 5/16" x 3/4" Rd. Hd. Drld.)	1
-	192172	PIN, Link (Rivet, 5/16" x 1-1/4" Rd. Hd. Drld.)	1
-	72017-S	COTTER PIN, 1/8" x 3/4" - Link Pin	2
24	191364	NIPPLE, Orifice, Control Valve Restrictor, 3/8".	1
24	193658	TEE, Pipe, 3/8" x 3/8" x 3/8"	1
-	192104	ELL, Street, 3/8" - Nipple to Tee (Not Shown).	1
25	191164	UNION, Pipe - Feed Line to Valve.	1
26	192546	PIPE, Valve to Hose	1
27	192547	PIPE, Frame to Hose	1
28	190396	HOSE, Outlet, 1" x 6"	1
29	190314	CLAMP, Hose, w/Screw (Aircraft Type).	2
30	192151	PIPE, Equalizer ("U" Shape)	1
31	190392	PIPE, Extension, 3/8" x 10".	1
32	191359	PIPE, High Pressure Feed Line, 3/8" x 69-1/4".	1
33	191471	CLAMP ASSEMBLY	5
		Consists of Two Half Clamps which are not serviced separately, plus items listed below:	
-	26547-S	BOLT, 1/4"-20 x 1" Rd. Hd. Stove	10
-	34805-S	LOCKWASHER, 1/4".	10
-		NUT, 1/4"-20 Sq.	10
34	192114	HOSE, Hydraulic, w/Male Couplings, 3/8"	2
35	192115	ADAPTER, Hydraulic Hose, Female, 3/8"	2

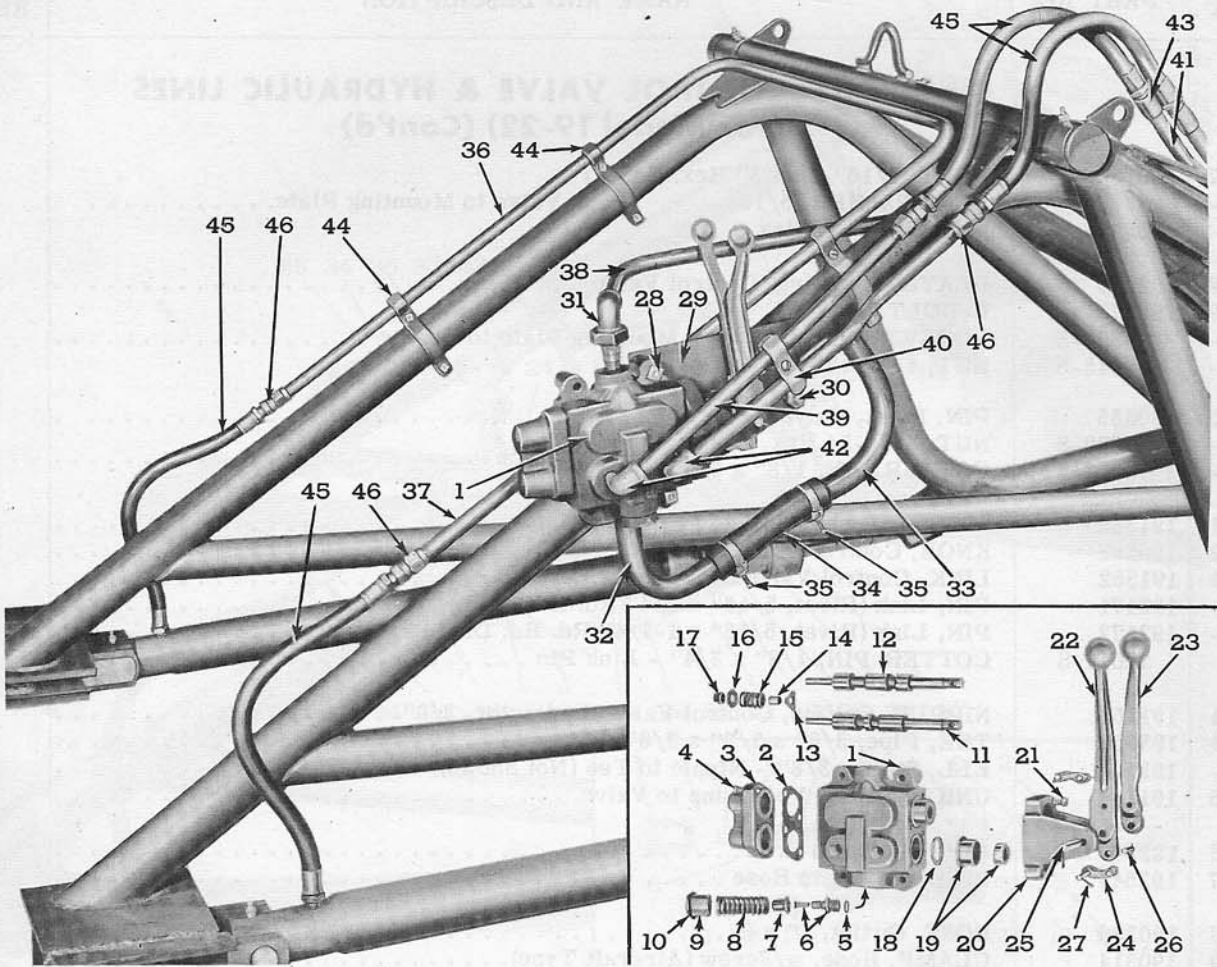


Figure 12 - Control Valve and Hydraulic Lines

FIG. 12	PART NO.	NAME AND DESCRIPTION	QTY. REQ.
		Group 1-8—CONTROL VALVE AND HYDRAULIC LINES (For Model 19-23)	
1	192524	*VALVE ASSEMBLY, Control (Less Levers)	1
		Consists of Body and Spools which are not serviced separately, plus items listed below:	
2	192223	GASKET, Cap	1
3	193647	CAP, Valve	1
4	193646	SCREW, 5/16"-18 x 1-1/4" Slotted Hd. - Cap to Body.	4
5	192237	GASKET, Barrel	1
6	193662	BARREL & PISTON ASSEMBLY	1
7	193650	FOLLOWER, Piston	1
8	192230	SPRING, Relief	1
9	193651	BONNET, Spring	1
10	193652	RING, "0", 15/16" ID x 1-3/16" OD.	1
11		SPOOL, 4-Way.	1
12		SPOOL, 3-Way.	1
13	192204	RETAINER, Spring.	2
14	193636	SPACER, 3/8" Long (For 3-Way Spool)	1
14	192213	SPACER, 1/2" Long (For 4-Way Spool)	1
15	192205	SPRING, Spool.	2
16	193637	WASHER, Flat, 3/8", 3/32" Thick.	2
17	34420-S2	NUT, 3/8"-24 Lock.	2

FIG. 12	PART NO.	NAME AND DESCRIPTION	QTY. REQ.
Group 1-8—CONTROL VALVE AND HYDRAULIC LINES (For Model 19-23) (Cont'd)			
18	193641	GASKET, Adapter.	2
19	193642	SEAL ASSEMBLY, Oil	2
20	193645	BRACKET, Mounting.	1
21	193646	SCREW, 5/16"-18 x 1-1/4" Slotted Hd. - Bracket to Body	4
22	192522	LEVER, Control Valve, Long	1
23	192523	LEVER, Control Valve, Short.	1
24	192242	LINK, Lever to Spool	4
25	192243	PIN, Pivot, Lever, Long	1
26	192244	PIN, Lever Link, Short	4
27	72003-S	COTTER PIN, 1/16" x 1/2" - Link Pins.	10
28		BOLT, 5/16"-18 x 2-1/4" Sq. Hd. } Valve to Mounting Plate.	2
-	34806-S	LOCKWASHER, 5/16" }	
-	33797-S	NUT, 5/16"-18.Hex. }	
29	192046	PLATE, Mounting, Valve	1
30	191475	U-BOLT, 1/2"-13 } Mounting Plate to Frame	1
-	34809-S	LOCKWASHER, 1/2" }	2
-	33845-S	NUT, 1/2"-13 Hex. }	
-	191364	NIPPLE, Orifice, Control Valve Restrictor, 3/8" - Valve to Equalizer Pipe.	1
-	193658	TEE, Pipe, 3/8" x 3/8" x 3/8" - Valve to Equalizer Pipe	1
31	191164	UNION, Pipe - Feedline to Valve.	1
32	192547	PIPE, Valve to Hose	1
33	192548	PIPE, Frame to Hose	1
34	190396	HOSE, Outlet, 1" x 6"	1
35	190314	CLAMP, Hose, w/Screw (Aircraft Type).	2
36	192151	PIPE, Equalizer ("U" Shape)	1
37	190392	PIPE, Extension, 3/8" x 10".	1
38	191359	PIPE, High Pressure Feed Line, 3/8" x 69-1/4"	1
39	192109	PIPE, Valve Inlet, 3/8" x 15-3/8".	2
40	191357	CLAMP ASSEMBLY. Consists of Two Half Clamps which are not serviced separately, plus Bolt, Lockwasher, and Nut.	1
41	192040	PIPE, Bucket Cylinder Feedline, 3/8" x 61"	2
42	192104	ELL, Street, 3/8" - Valve	2
43	192021	COUPLING, Pipe, 3/8"	2
44	191471	CLAMP ASSEMBLY, (Total per Unit 10). Consists of Two Half Clamps which are not serviced separately, plus items listed below:	5
-	26547-S	BOLT, 1/4"-20 x 1" Rd. Hd. Stove.	10
-	34805-S	LOCKWASHER, 1/4".	10
-		NUT, 1/4"-20 Sq.	10
45	192114	HOSE, Hydraulic, w/Male Couplings, 3/8"	4
46	192115	ADAPTER, Hydraulic Hose, Female, 3/8"	4
NOTE: *Order rebuilt Exchange Valve under Part No. 192524-R.			

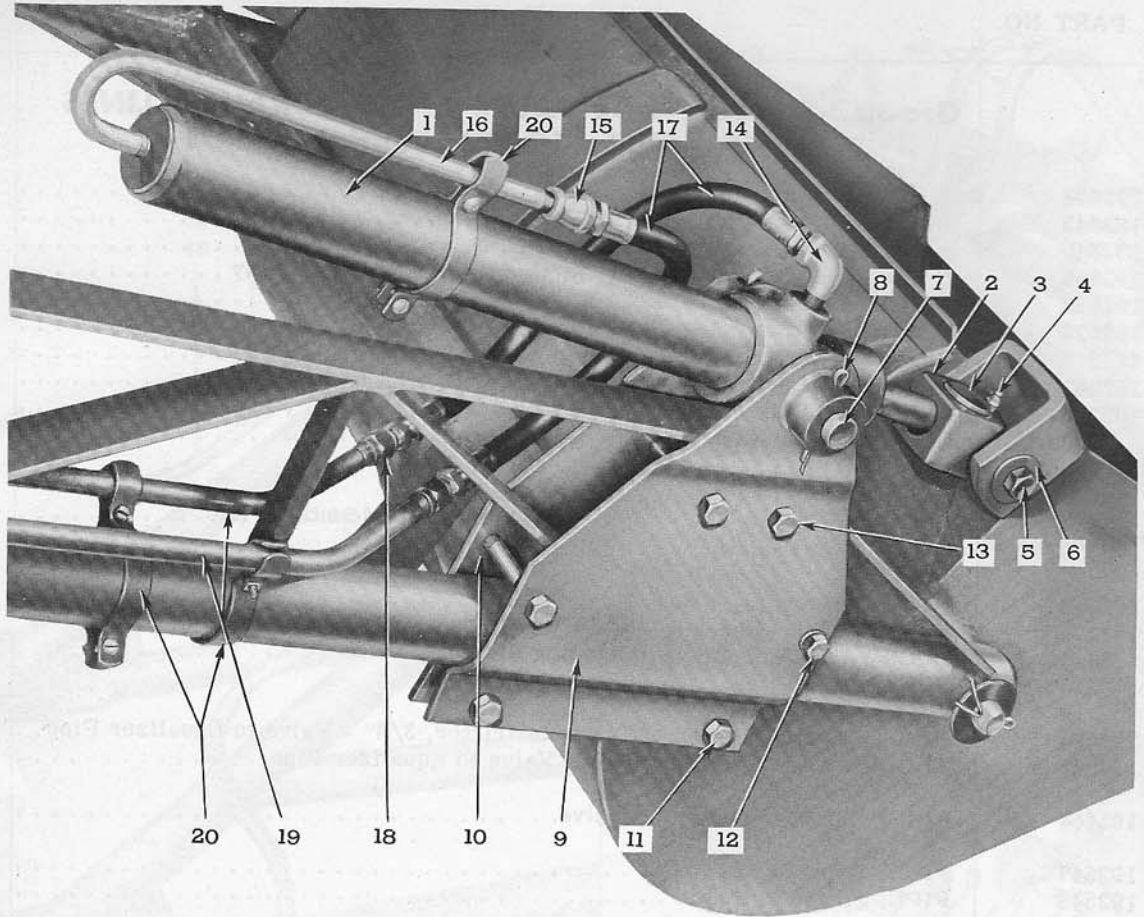


Figure 13 - Hydraulic Bucket Control Cylinder Attachments

FIG. 13	PART NO.	NAME AND DESCRIPTION	QTY. REQ.
Group 1-9—HYDRAULIC BUCKET CONTROL CYLINDER ATTACHMENTS (For Model 19-23)			
1	192039	CYLINDER ASSEMBLY, Hydraulic Bucket Control (See Figure 14)	1
2	192036	HEAD, Ram	1
3	192035	PIN, Pivot, Ram.	1
4	353027-S	FITTING, Lube, 1/8"-27 Str. - Ram Head	1
-	192551	SLEEVE, Ram Head	1
5		BOLT, 5/8"-11 x 5 Hex. Hd.	} Sleeve to Ram Head to Bucket.
6	44742-S	WASHER, 5/8" Flat	
-	34811-S	LOCKWASHER, 5/8"	
-	33849-S	NUT, 5/8"-11 Hex.	
7	192034	PIN, Pivot, Cylinder	
8	72161-S	COTTER PIN, 1/4" x 2-3/4" - Pin to Bracket.	2
9	192025	BRACKET, Mounting, Cylinder, Outer (Welded Assembly).	1
10	192026	BRACKET, Mounting, Cylinder, Inner (Welded Assembly).	1
11		BOLT, 1/2"-13 x 1-1/2" Hex. Hd.	} Outer and Inner Bracket to Frame.
12		BOLT, 1/2"-13 x 2-3/4" Hex. Hd.	
13		BOLT, 1/2"-13 x 3-1/2" Hex. Hd.	
--	34809-S	LOCKWASHER, 1/2"	
--	33845-S	NUT, 1/2"-13 Hex.	

DEARBORN *Loaders*

FIG. 13	PART NO.	NAME AND DESCRIPTION	QTY. REQ.
Group 1-9—HYDRAULIC BUCKET CONTROL CYLINDER ATTACHMENTS (For Model 19-23) (Cont'd)			
14	192104	ELL, Street, 3/8" - Cylinder	1
15	192103	COUPLING, Reducing, 3/8" to 1/4" - Pipe	1
16	192038	PIPE, Bucket Cylinder	1
17	192114	HOSE, Hydraulic, w/Male Couplings, 3/8"	2
18	192115	ADAPTER, Hydraulic Hose, Female, 3/8"	2
19	192040	PIPE, Bucket Cylinder Feedline, 3/8" x 61"	2
20	191471	CLAMP ASSEMBLY Consists of Two Half Clamps which are not serviced separately, plus items listed below:	5
--	26547-S	BOLT, 1/4"-20 x 1" Rd. Hd. Stove.	10
--	34805-S	LOCKWASHER, 1/4"	10
--		NUT, 1/4" - 20 Sq.	10

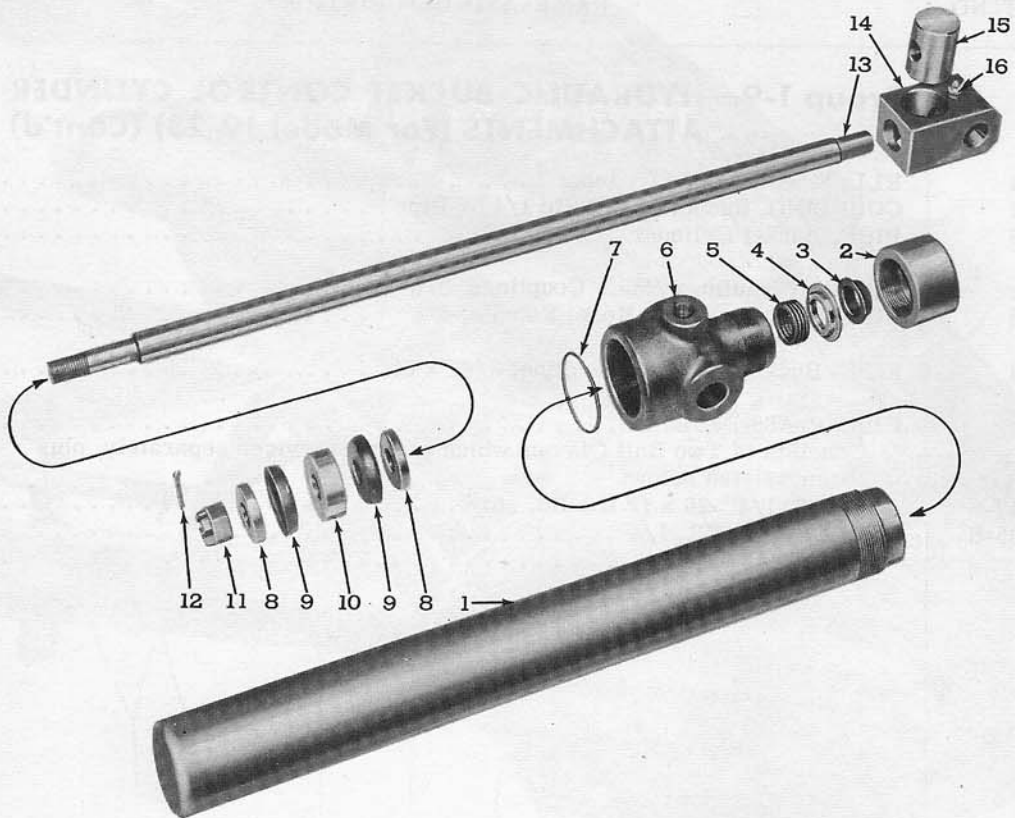


Figure 14 - Hydraulic Bucket Control Cylinder Assembly

FIG. 14	PART NO.	NAME AND DESCRIPTION	QTY. REQ.
		Group 1-10—HYDRAULIC BUCKET CONTROL CYLINDER ASSEMBLY (For Model 19-23)	
-	192039	CYLINDER ASSEMBLY, Hydraulic Bucket Control.	1
		Consists of:	
1	192137	CYLINDER (Welded Assembly).	1
2	192147	NUT, Packing	1
3	192149	WIPER, Packing Nut.	1
4	192146	GLAND, Packing, Aluminum.	1
5	192128	PACKING (Complete Set) (Includes 5 Rings)	1
6	192145	YOKE, Cylinder	1
7	192131	RING, "0"	1
8	192141	WASHER, Piston Cup	2
9	192142	CUP, Piston	2
10	192143	SPACER, Piston Cup	1
11		NUT, 3/4"-16 Hex. Slotted	
12	72053-S	COTTER PIN, 1/8" x 1-1/4" } Piston Shaft.	1
13	192140	SHAFT, Piston.	1
14	192036	HEAD, Ram.	1
15	192035	PIN, Pivot, Ram.	1
16	353027-S	FITTING, Lube, 1/8"-27 Str. - Ram Head	1

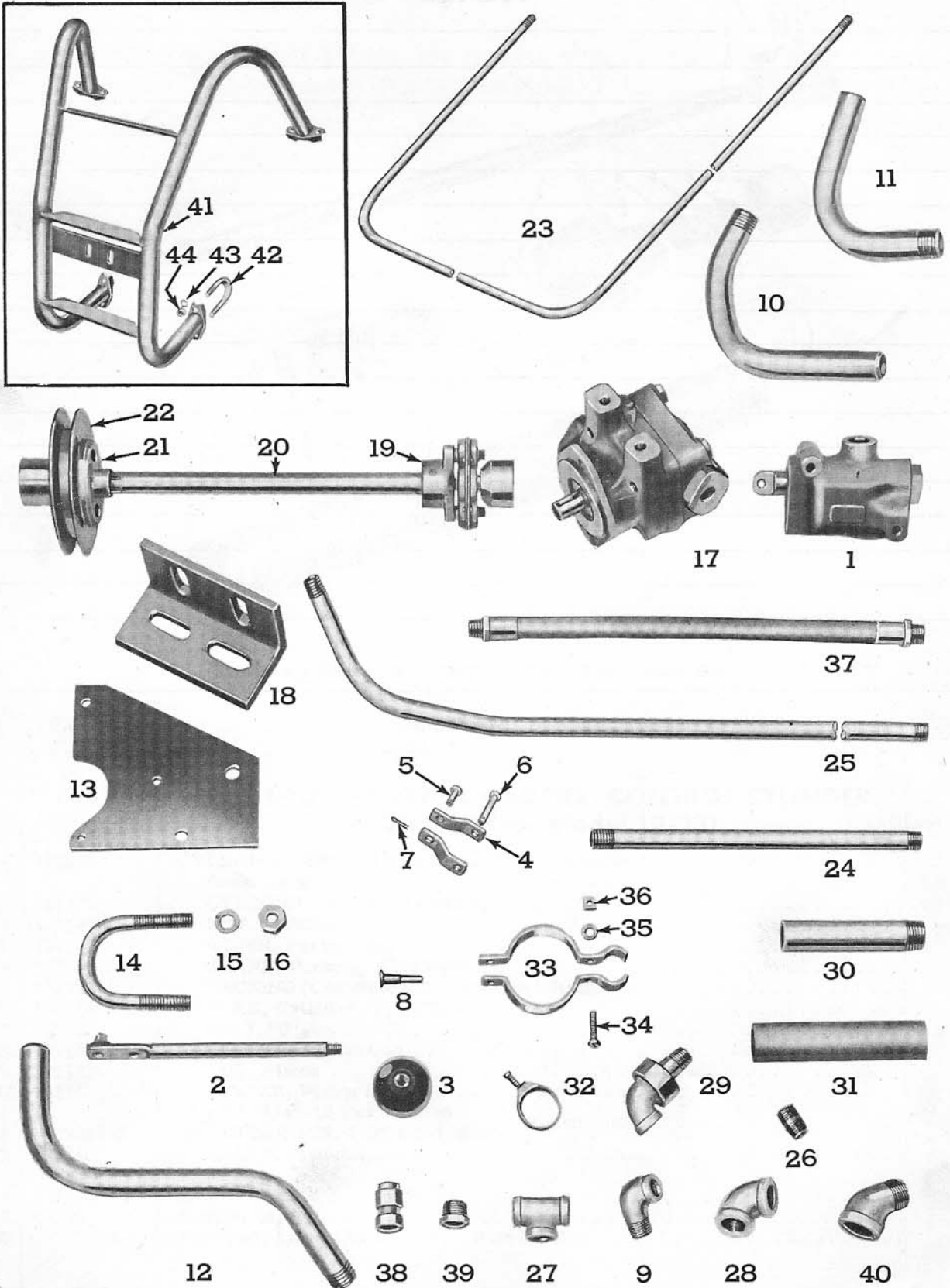


Figure 15 - Standard to Heavy Duty Loader Conversion Kit Model 19-26

DEARBORN *Loaders*

FIG. 15	PART NO.	NAME AND DESCRIPTION	QTY. REQ.
Group 1-11—STANDARD TO HEAVY DUTY LOADER CONVERSION KIT Model 19-26			
1	191479	VALVE ASSEMBLY, Control (See Fig. 11 For Component Parts)	1
-	300890	BOLT, 5/16"-18 x 3" Hex. Hd. } Valve to Mounting Plate	1
-	34806-S	LOCKWASHER, 5/16" }	
-	33797-S	NUT, 5/16"-18 Hex. }	
2	191345	LEVER, Control Valve	1
3	190369	KNOB, Control Valve Lever	1
4	191362	LINK, Control Valve to Lever.	2
5	192171	PIN, Link (Rivet, 5/16" x 3/4" Rd. Hd. Drld.)	1
6	192172	PIN, Link (Rivet, 5/16" x 1-1/4" Rd. Hd. Drld.)	1
7	72017-S	COTTER PIN, 1/8" x 3/4" - Link Pin	2
8	190365	PIN, Pivot, Valve Lever	1
-	33800-S	NUT, 3/8"-24 Hex. } Pivot Pin.	1
-	34807-S	LOCKWASHER, 3/8" }	
-	72017-S	COTTER PIN, 1/8" x 3/4" }	
9	192104	ELL, Street, 3/8" - Valve Nipple to Tee.	1
10	192546	PIPE, Valve to Hose	1
11	192547	PIPE, Frame to Hose (on Mod. 19-27 This is a Valve to Hose pipe).	1
12	192545	PIPE, Frame to Pump.	1
13	192046	PLATE, Mounting, Control Valve	1
14	191475	U-BOLT, 1/2"-13 } Mounting Plate to Frame	2
15	34809-S	LOCKWASHER, 1/2" }	
16	33845-S	NUT, 1/2"-13 Hex. }	
17	192504	PUMP ASSEMBLY, Hydraulic (See Fig. 10 For Component Parts)	1
--		BOLT, 1/2"-13 x 1-1/4" Hex. Hd. } Pump to Mounting Bracket.	2
--	44736-S	WASHER, 1/2" Flat }	
18	192043	ANGLE, Mounting, Pump.	1
--		BOLT, 1/2"-13 x 1-1/2" Hex. Hd. } Bracket to Bumper Mounting.	2
--	44736-S	WASHER, 1/2" Flat }	4
--	33845-S	NUT, 1/2"-13 Hex. }	2
19		COUPLING ASSEMBLY (See Figure 10 for Component Parts)	1
20	192165	SHAFT, Drive	1
--	74178-S	KEY, Woodruff, 3/16 x 3/4", No. 9 - Shaft (One Key Included w/Pump)	1
21	192161	HUB ASSEMBLY, (See Figure 10 for Component Parts)	1
--	300376	BOLT, 1/4"-28 x 1" Socket Hd. } Hub to Sheave.	4
--	34805-S	LOCKWASHER, 1/4" }	
22	192160	SHEAVE, Drive	1
--	192166	PIN, Dowel, 1/4" x 3/4" - Sheave to Crankshaft.	1
--	192167	BOLT, 5/8"-18 x 7/8" Slotted Hd. (Spec.) } Sheave to Crankshaft.	1
--	34911-S	LOCKWASHER, 5/8" Internal Teeth }	
23	192151	PIPE, Equalizer (U-Shape).	1
24	190392	PIPE, Extension, 3/8" x 10".	1
25	191359	PIPE, High Pressure Feed Line, 3/8" x 69-1/4"	1
26	191364	NIPPLE, Orifice, Control Valve Restrictor, 3/8".	1
27	193658	TEE, Pipe, 3/8" x 3/8" x 3/8"	1
28	192520	ELBOW, Pipe, 3/4" - 90°	1
29	191164	UNION, Pipe - Feed Line to Valve.	1

DEARBORN *Loaders*

FIG. 15	PART NO.	NAME AND DESCRIPTION	QTY. REQ.
Group 1-11—STANDARD TO HEAVY DUTY LOADER CONVERSION KIT Model 19-26 (Cont'd)			
30	190395	NIPPLE, Pipe, 3/4" x 3"	1
31	190396	HOSE, Outlet, 1" x 6"	2
32	190314	CLAMP, Hose, w/Screw (Aircraft Type)	4
33	191471	CLAMP ASSEMBLY, Pipe Consists of Two Half Clamps which are not serviced separately, plus items listed below;	5
34	26547-S	BOLT, 1/4"-20 x 1" Rd. Hd. Stove	10
35	34805-S	LOCKWASHER, 1/4"	10
36		NUT, 1/4"-20 Sq.	10
37	192114	HOSE, Hydraulic, w/Male Couplings, 3/8"	1
38	192115	ADAPTER, Hydraulic Hose, Female	1
39	192593	BUSHING, Reducing, 1" to 3/4" - Pump Left Side	1
39	190607	BUSHING, Reducing, 1/2" to 3/8" - Pump Right Side	1
40	192102	ELL, Street, 3/4 - 45° - Pump Left Side	1
41	191472	BUMPER, Loader (Welded Assembly)	1
42	191475	U-BOLT, 1/2"-13	} Bumper to Frame
43	34809-S	LOCKWASHER, 1/2"	
44	33845-S	NUT, 1/2"-13 Hex.	
NOTE: The following extra part is also included in this kit for conversion of Loaders manufactured prior to September 1, 1950.			
	190454	NIPPLE, Pipe, 3/4" x 5"	3

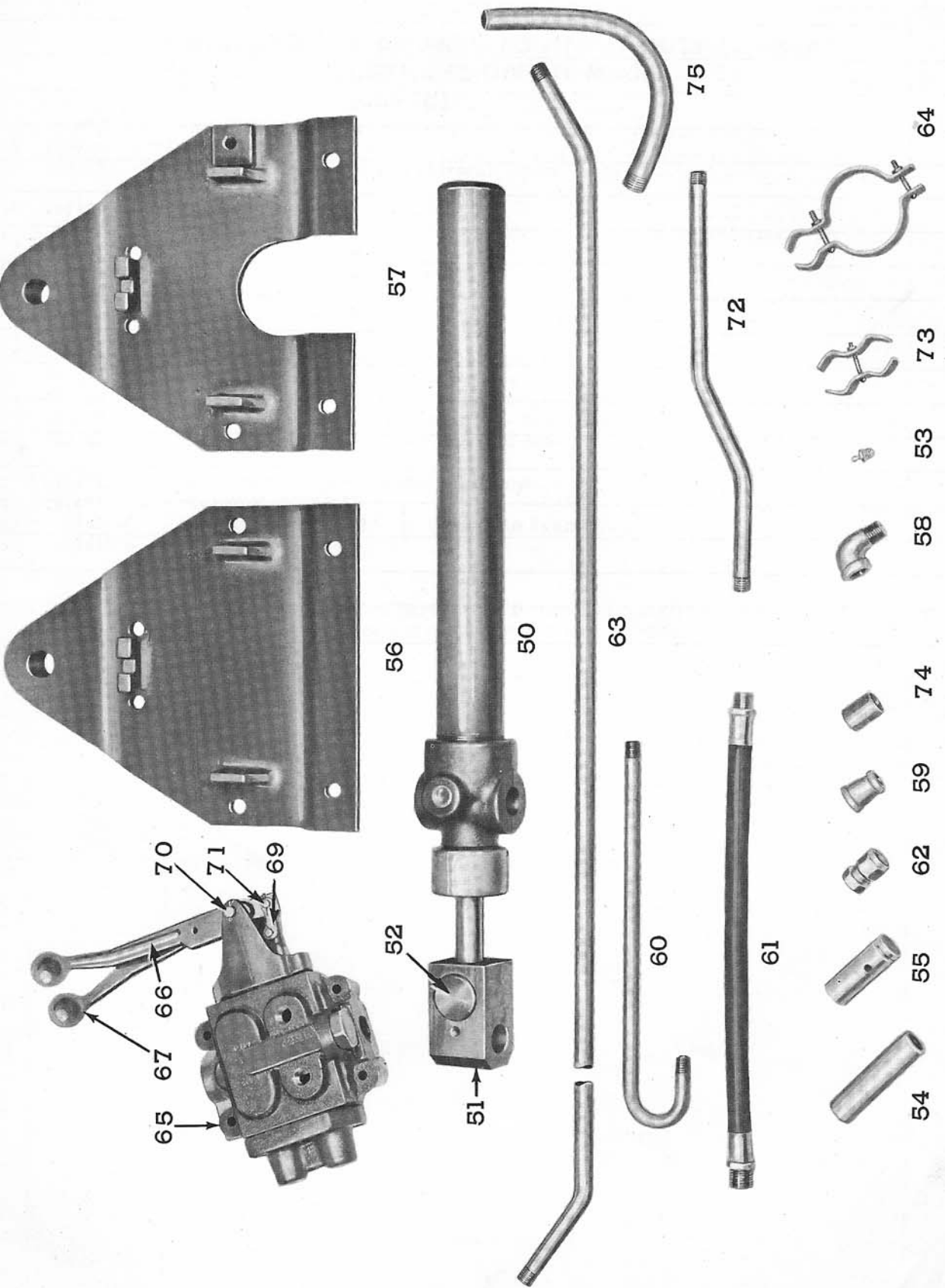


Figure 16 - Hydraulic Bucket Control Attachment Conversion Kit Model 19-28

FIG. 16	PART NO.	NAME AND DESCRIPTION	QTY. REQ.
		Group 1-12—HYDRAULIC BUCKET CONTROL ATTACHMENT FOR HEAVY DUTY LOADER CONVERSION KIT Model 19-28	
50	192039	CYLINDER ASSEMBLY, Hydraulic Bucket Control (See Fig. 14 for Component Parts)	1
51	192036	HEAD, Ram.	1
52	192035	PIN, Pivot, Ram.	1
53	353027-S	FITTING, Lube, 1/8"-27 Str. - Ram Head	1
54	192551	SLEEVE, Ram Head, 1" x 3-5/8"	1
--		BOLT, 5/8"-11 x 5" Hex. Hd.	} Sleeve to Cylinder to Bucket
--	34811-S	LOCKWASHER, 5/8"	
--	44742-S	WASHER, 5/8" Flat	
--	33849-S	NUT, 5/8"-11 Hex.	
55	192034	PIN, Pivot, Cylinder	2
--	72161-S	COTTER PIN, 1/4" x 2-3/4" - Pin to Bracket.	2
56	192025	BRACKET, Cylinder, Outer (Welded Assembly)	1
57	192026	BRACKET, Cylinder, Inner (Welded Assembly)	1
--		BOLT, 1/2"-13 x 1-1/2" Hex. Hd.	} Outer & Inner Brkt. to Frame
--		BOLT, 1/2"-13 x 2-3/4" Hex. Hd.	
--		BOLT, 1/2"-13 x 3-1/2" Hex. Hd.	
--	34809-S	LOCKWASHER, 1/2"	
--	33845-S	NUT, 1/2"-13 Hex.	5
58	192104	ELL, Street, 3/8" - Valve & Cylinder	3
59	192103	COUPLING, Reducing, 3/8" to 1/4" - Pipe	1
60	192038	PIPE, Bucket Cylinder	1
61	192114	HOSE, Hydraulic, w/Male Couplings, 3/8"	4
62	192115	ADAPTER, Hydraulic Hose, Female, 3/8"	4
63	192040	PIPE, Bucket Cylinder Feedline, 3/8" x 61"	2
64	191471	CLAMP ASSEMBLY	5
		Consists of Two Half Clamps which are not serviced separately, plus items listed below:	
--	26547-S	BOLT, 1/4"-20 x 1" Rd. Hd. Stove.	10
--	34805-S	LOCKWASHER, 1/4"	10
--		NUT, 1/4"-20 Sq.	10
65	192524	VALVE ASSEMBLY, Control (Less Levers) (See Fig. 12 for Component Parts)	1
--		BOLT, 5/16"-18 x 2-1/4" Sq. Hd.	} Valve to Mounting Plate.
--	34806-S	LOCKWASHER, 5/16"	
--	33797-S	NUT, 5/16" - 18 Hex.	
66	192522	LEVER, Control Valve, Long	1
67	192523	LEVER, Control Valve, Short.	1
69	192242	LINK, Lever to Valve Spool	4
70	192243	PIN, Pivot, Lever, Long	1
71	192244	PIN, Lever Link, Short	4
--	72003-S	COTTER PIN, 1/16" x 1/2" - Link Pins.	10
72	192109	PIPE, Valve Inlet, 3/8" x 15-3/8"	2

DEARBORN *Loaders*

FIG. 16	PART NO.	NAME AND DESCRIPTION	QTY. REQ.
		Group 1-12—HYDRAULIC BUCKET CONTROL ATTACHMENT FOR HEAVY DUTY LOADER CONVERSION KIT Model 19-28 (Cont'd)	
73	191357	CLAMP ASSEMBLY Consists of Two Half Clamps which are not serviced separately, plus, Bolt, Lockwasher & Nut.	1
74	192021	COUPLING, Pipe, 3/8" - Feed Line Pipe	2
75	192548	PIPE, Frame to Hose	1
--	191364	NIPPLE, Orifice, Control Valve Restrictor, 3/8" (See Fig. 15).	1
NOTE;			
The following extra parts are also included in this kit for conversion of Loaders manufactured prior to September 1, 1950.			
	190395	NIPPLE, Pipe, 3/4" x 3"	1
	190377	PIN & CLIP, Anchor (Welded Assembly)	1
	20310-S	BOLT, 5/16"-18 x 1/2" Hex. Hd.	1
	34806-S	LOCKWASHER, 5/16"	1

FIG. NO.	PART NO.	NAME AND DESCRIPTION	QTY. REQ.
		<p>Group 1-13—STANDARD TO HEAVY DUTY LOADER WITH HYDRAULIC BUCKET CONTROL CONVERSION KIT Model 19-27</p> <p>Conversion Kit Model 19-27 is used when converting a Standard Loader to a Heavy Duty Loader with a Hydraulic Bucket Control Attachment. The parts necessary for this conversion are included in the Conversion Kit Model 19-27. This kit is shown on Figures 15 and 16 and includes items 11 thru 75.</p> <p>NOTE; The following extra parts are also included in this kit for conversion of Loaders manufactured prior to September 1, 1950.</p>	
	190454	NIPPLE, Pipe, 3/4" x 5"	2
	190395	NIPPLE, Pipe, 3/4" x 3"	1
	190377	PIN & CLIP, Anchor (Welded Assembly)	1
	20310-S	BOLT, 5/16"-18 x 1/2" Hex. Hd.	1
	34806-S	LOCKWASHER, 5/16"	1

DEARBORN *Loaders*

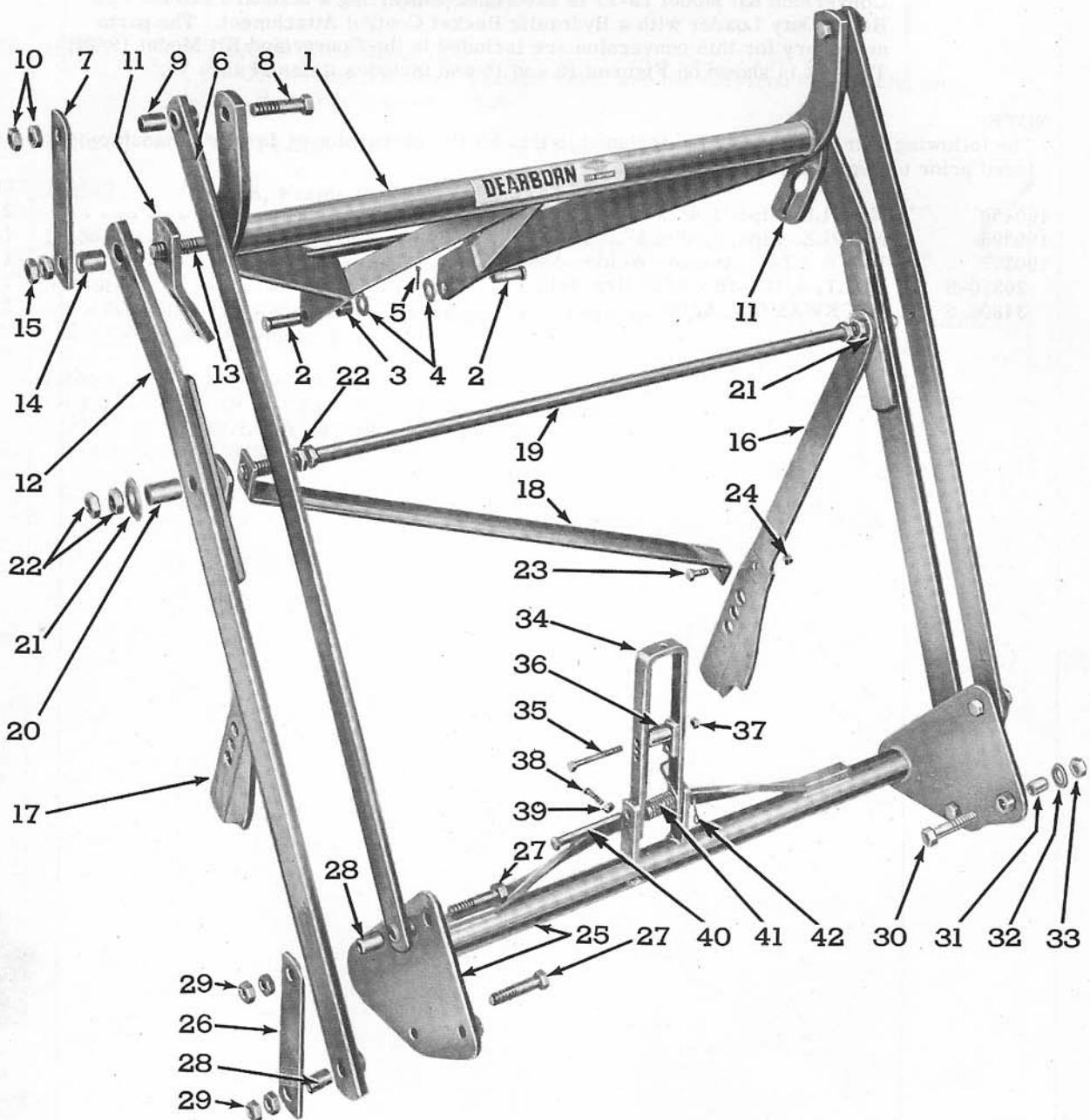


Figure 17 - Frame assembly

Group 2—DEARBORN REAR MOUNTED LOADER Model 19-29

FIG. 17	PART NO.	NAME AND DESCRIPTION	QTY. REQ.
Group 2-1—FRAME ASSEMBLY			
1	192410	FRAME ASSEMBLY, Upper Link (Welded Assembly)	1
2	192431	PIN, 3/4" x 2-3/64 Clevis	2
3	192429	SPACER, 3/4" x 1"	1
4	44748-S	WASHER, 3/4" Flat	2
5	72075-S	COTTER PIN, 1/4" x 1-1/2" } Frame to Tractor.	2
-	192390	ARM ASSEMBLY, Upper Control, R.H.	1
6	192385	ARM ASSEMBLY, Upper Control, L.H.	1
7	192391	LINK, Upper Locking	2
8		BOLT, 5/8"-11 x 2-3/4" Hex. Hd.	2
9	192426	SPACER, 5/8" ID x 13/16" OD x 1.067 } Frame to Arm to Upper Link.	2
10	33946-S	NUT, 5/8"-11 Hex. Jam	4
11	192424	LINK, Chain Attaching.	2
--	192380	ARM, Lower Control, R.H. (Welded Assembly)	1
12	192370	ARM, Lower Control, L.H. (Welded Assembly)	1
13	192430	ROD, Tie, Upper Link Frame.	1
14	192427	SPACER, 3/4" ID x 1" OD x 1.067 } Frame to Link to Lower Arm	2
15	33948-S	NUT, 3/4"-10 Hex. Jam	4
16	192400	STRUT, Lifting, R.H. (Welded Assembly)	1
17	192395	STRUT, Lifting, L.H. (Welded Assembly)	1
18	192402	BRACE, Lifting Strut Cross.	1
19	192430	ROD, Tie, Lifting Struts and Brace	1
20	192405	SPACER, 3/4" ID x 1" OD x 1.442 } Brace to Strut to Lower Arm.	2
21	44746-S	WASHER, 3/4" Flat	3
22	33948-S	NUT, 3/4"-10 Hex. Jam	8
23	21441-S	BOLT, 7/16"-14 x 1-1/4" Hex. Hd. } Cross Brace to R.H. Lifting Strut	1
24	34090-S	NUT, 7/16"-14 Hex.	
25	192350	CRADLE, Bucket (Welded Assembly).	1
26	192392	LINK, Lower Locking	2
27		BOLT, 5/8"-11 x 2-1/2" Hex. Hd.	4
28	192426	SPACER, 5/8" ID x 13/16" OD x 1.067 } Cradle to Upper and Lower Arms to Lower Link	4
29	33946-S	NUT, 5/8"-11 Hex. Jam	8
30		BOLT, 5/8"-11 x 2-1/4" Hex. Hd.	2
31	192428	SPACER, 5/8" ID x 13/16" OD x 7/8" } Cradle to Bucket Assembly.	2
32	44742-S	WASHER, 5/8" Flat	2
33	33946-S	NUT, 5/8"-11 Hex. Jam	4
34	192361	YOKE, Latch (Welded Assembly).	1
35		BOLT, 3/8"-16 x 3-1/4" Hex. Hd.	
36	192363	ROLLER, Latch Yoke	
--	192366	SPACER, 3/8" ID x 9/16" OD x 1-1/4" } Roller to Yoke	1
37	33799-S	NUT, 3/8"-16 Hex.	

FIG. 17	PART NO.	NAME AND DESCRIPTION	QTY. REQ.
Group 2-1—FRAME ASSEMBLY (Cont'd)			
38	91443-S	SET SCREW, 5/16"-18 x 1-1/8" Sq. Hd.	1
39	33922-S	NUT, 5/16"-18 Hex. Jam	
		} Latch Angle Control.	
40	193976	PIN, 1/2" x 4" Clevis	1
41	192364	SPRING, Return, Latch Yoke	
42	72035-S	COTTER PIN, 1/8" x 1"	
		} Yoke to Cradle	

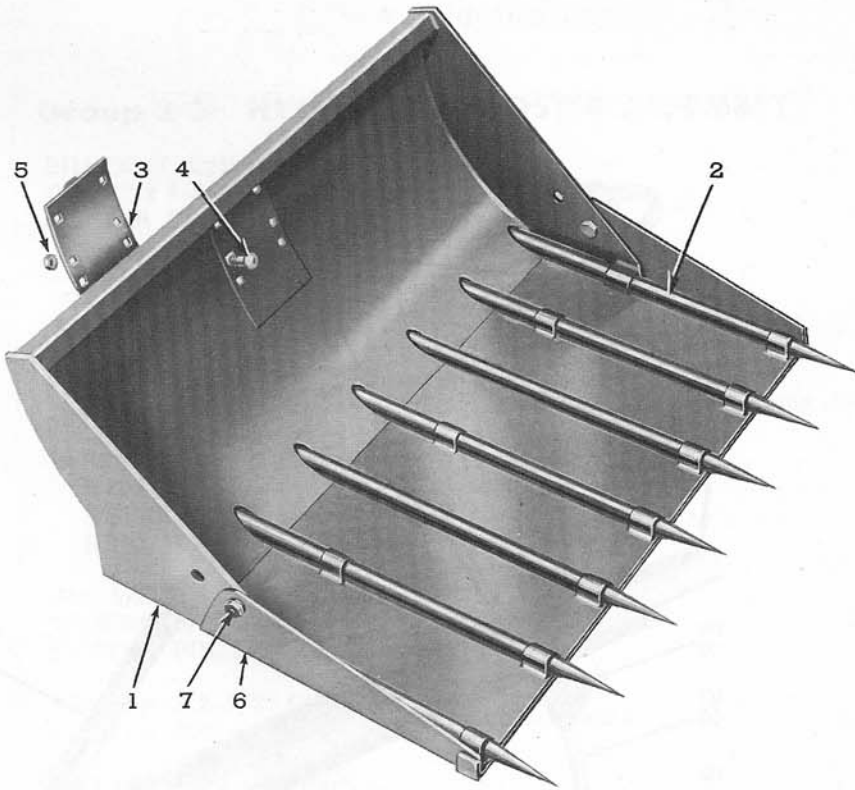


Figure 18 - Bucket Assembly

FIG. 18	PART NO.	NAME AND DESCRIPTION	QTY. REQ.
Group 2-2—BUCKET ASSEMBLY			
1	192331	BUCKET, Rear Mounted Loader (Welded Assembly).....	1
2	192342	TINE, Bucket.	7
-	72039-S	COTTER PIN, 1/4" x 1" - Tine to Bucket.	7
3	192338	PLATE, Latch (Welded Assembly).	1
4		BOLT, 7/16"-14 x 1" Carr. } Latch to Bucket	6
5	34090-S	NUT, 7/16"-14 Hex. }	
6	Mod. 19-41	Plate assembly, Material (Welded Assy.) (Extra Equipment)	1
Consists of Plate which is not serviced separately plus items listed below:			
7		BOLT, 5/8"-11 x 1" hex. hd. }	2
-	33849-S	NUT, 5/8"-11 Hex. }	

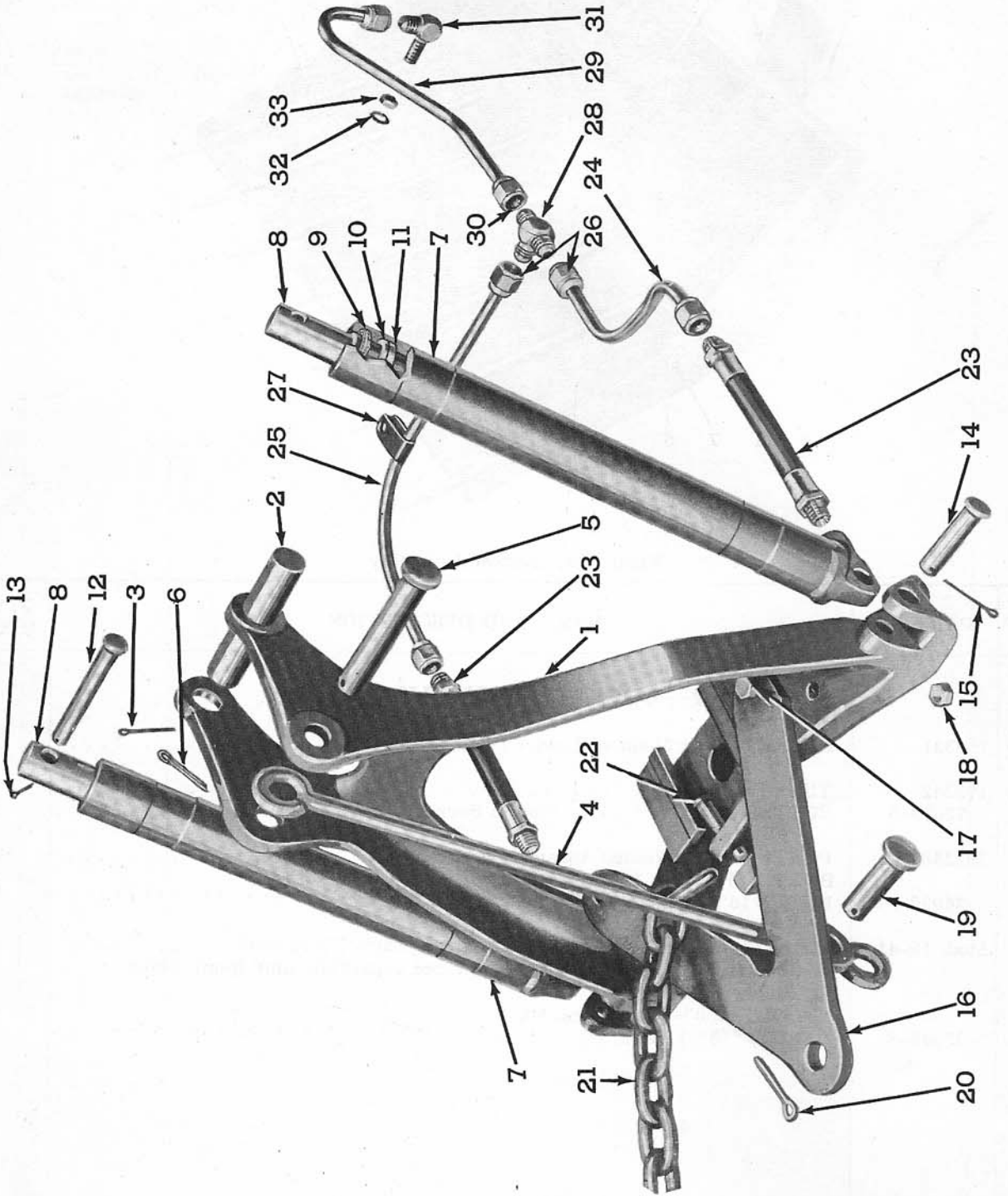


Figure 19 - Hydraulic booster assembly

FIG. 19	PART NO.	NAME AND DESCRIPTION	QTY. REQ.
Group 2-3—HYDRAULIC BOOSTER ASSEMBLY			
1	192460	BRACKET, Cylinder	1
2	192466	PIN, 1" x 4-3/4" Drld. Headless	1
3	72071-S	COTTER PIN, 1/8" x 1-1/2" } Bracket to Tractor	2
4	192470	ROD, Support.	1
5	193831	PIN, 3/4" x 4-1/2" Clevis	1
6	72072-S	COTTER PIN, 5/32" x 1-1/2" } Rod to Bracket	1
7	192456	CYLINDER ASSEMBLY, Hydraulic Booster	2
Consists of Body which is not serviced separately plus items listed below:			
8	192461	SHAFT, Piston.	2
9	192463	WIPER (Felt)	2
10	192343	WASHER, Back-up (Leather)	2
11	192462	RING, "0" (Rubber)	2
12	192473	PIN, 5/8" x 4-33/64" Clevis	} Cylinder to Tractor
--	44742-S	WASHER, 5/8" Flat	
13	72035-S	COTTER PIN, 1/8" x 1"	
14	74074-S	PIN, 5/8" x 2-1/2" Clevis	} Cylinder to Bracket
15	72035-S	COTTER PIN, 1/8" x 1"	
16	192465	HITCH, Implement Attaching	1
17		BOLT, 1/2"-13 x 1-1/2" Hex. Hd.	} Hitch to Bracket
18	33845-S	NUT, 1/2"-13 Hex.	
19	193830	PIN, 3/4" x 2-1/2" Clevis	} Hitch to Rod.
20	72072-S	COTTER PIN, 5/32" x 1-1/2"	
21	192423	CHAIN, 3/8" x 37-5/8" - Attaching Strap Link (29 Links)	2
22	74078-S	PIN, 7/16 x 2-5/8" Clevis	} Chain to Cylinder Bracket
--	72035-S	COTTER PIN, 1/8" x 1"	
23	192484	HOSE, Hydraulic 3/8" x 8" (w/Couplings)	2
24	192479	TUBE ASSEMBLY, R.H. (Tee to Cylinder Hose)	1
25	192481	TUBE ASSEMBLY, L.H. (Tee to Cylinder Hose)	1
Consists of Tube which is not serviced separately plus Nut listed below:			
26	192476	NUT, Flared Tube, 3/4"-16 x 1-3/32"	4
27	192474	CLIP, Tube	1
28	192483	TEE, Tubing, 3/4"-16	1
29	192478	TUBE ASSEMBLY, Main.	1
Consists of Tube which is not serviced separately plus Nut listed below:			
30	192476	NUT, Flared Tube, 3/4"-16 x 1-3/32"	2
31	192477	ADAPTER, Hydraulic Pump	1
32	9N-614	GASKET, Adapter	1
33	33929-S	NUT, 1/2-20 Hex. Jam	1

Group 3—DEARBORN CRANE ATTACHMENT
Model 19-33

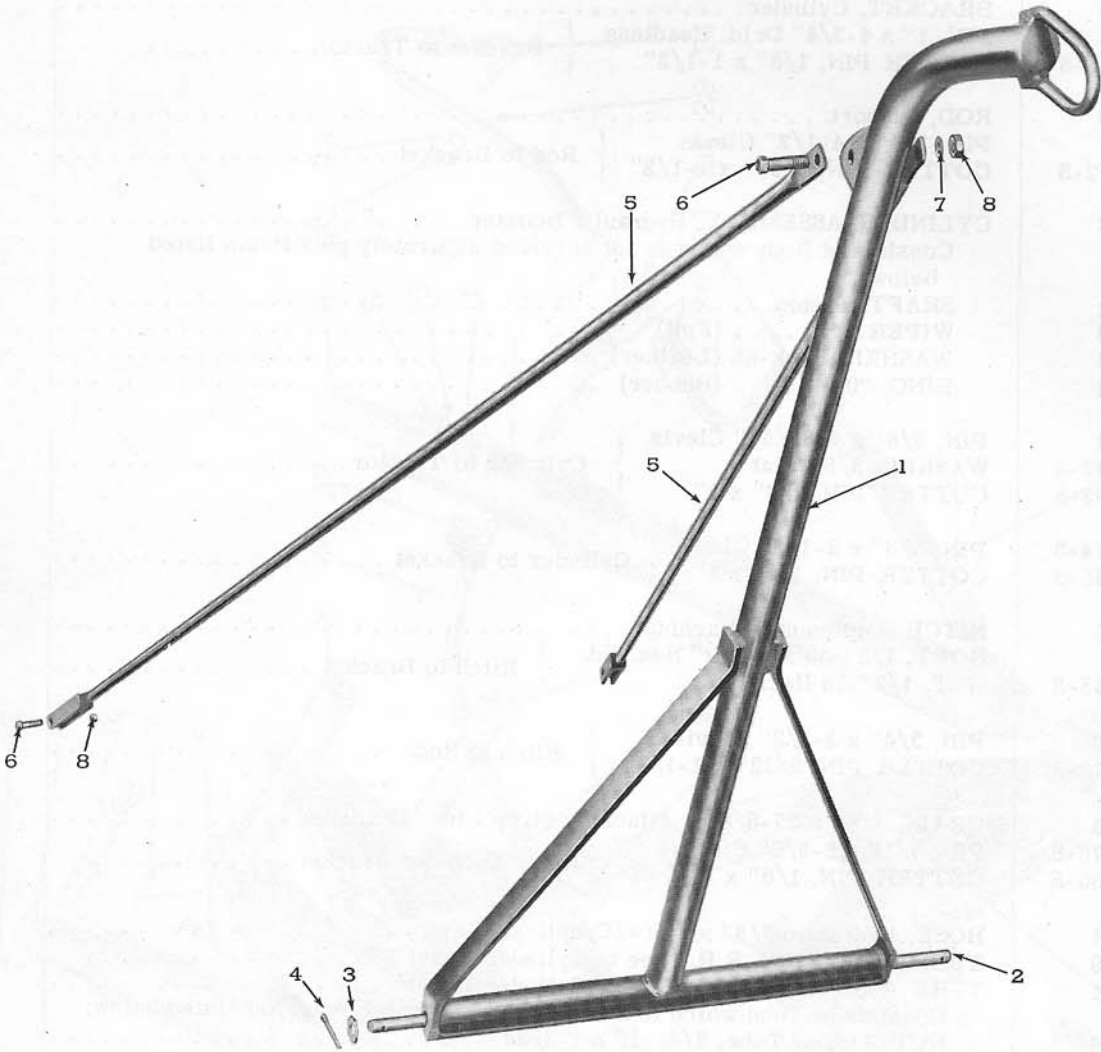


Figure 20 - Dearborn Crane Attachment Model 19-33

FIG. NO.	PART NO.	NAME AND DESCRIPTION	QTY. REQ.
		Group 3—DEARBORN CRANE ATTACHMENT Model 19-33	
1	192076	BOOM (Welded Assembly)	1
2	192063	SHAFT, Cross	1
3	44756-S	WASHER, 1" Flat	} Cross Shaft
4	72111-S	COTTER PIN, 1/4" x 2"	
5	192067	ROD, Guide (Welded Assembly).	2
6	21083-S	BOLT, 5/8"-18 x 2-1/4" Hex. hd.	} Rods to Loader Frame and Boom
7	34811-S	LOCKWASHER, 5/8"	
8	33806-S	NUT, 5/8"-18 Hex.	

**Group 4—DEARBORN REAR END CRANE
Model 22-53**

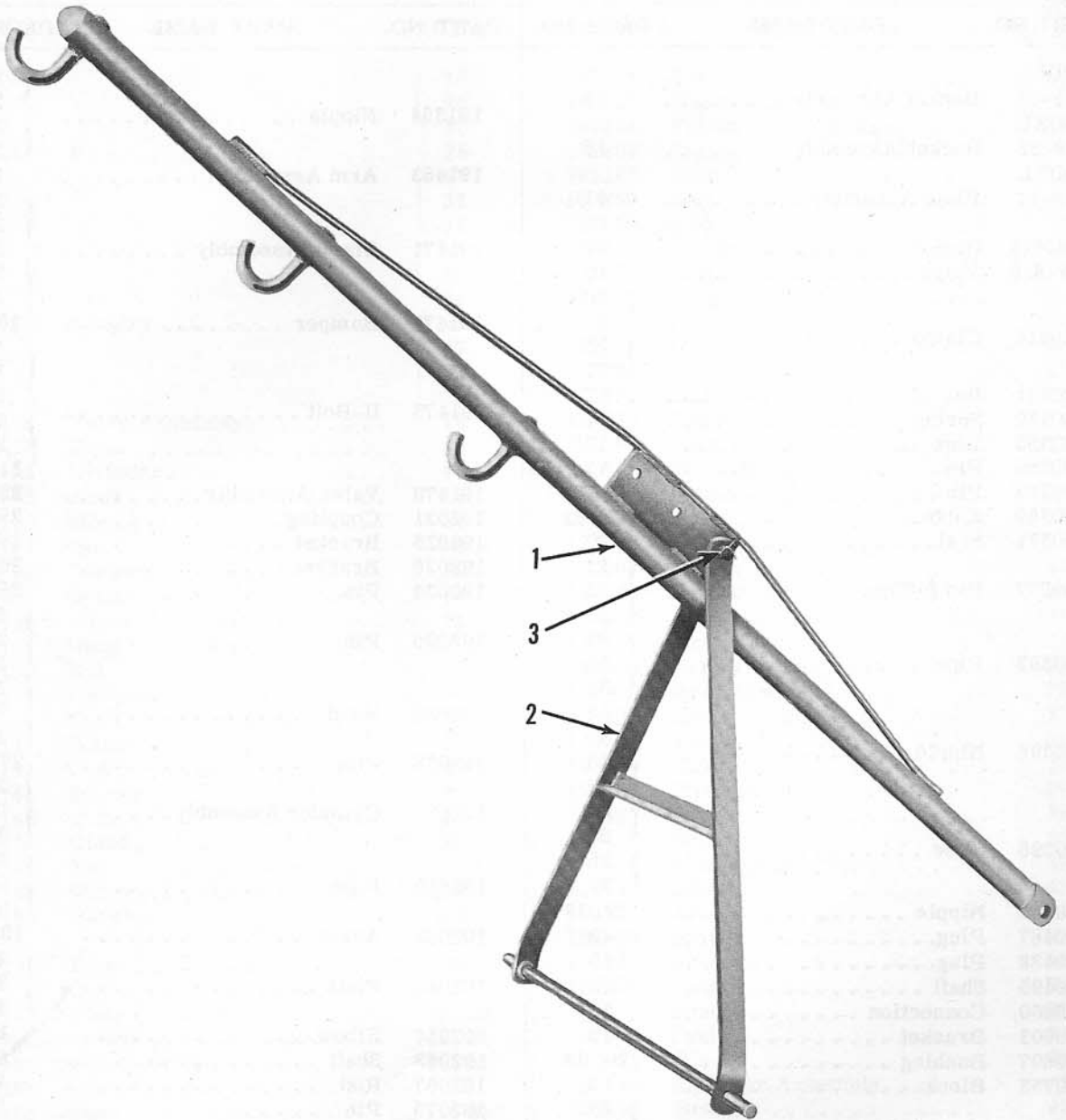


Figure 21 - Dearborn Rear End Crane Model 22-53

FIG. 21	PART NO.	NAME AND DESCRIPTION	QTY. REQ.
Group 4—DEARBORN REAR END CRANE Model 22-53			
1	220070	BOOM (Welded Assembly)	1
2	220076	ARM, Lift (Welded Assembly).	1
3	73997-S	PIN, 5/8" x 1-3/4" Clevis	} Lift Arm to Boom.
3	72053-S	COTTER PIN, 1/8" x 1-1/4"	

NUMERICAL INDEX

PART NO.	PART NAME	PAGE NO.	PART NO.	PART NAME	PAGE NO.
MODEL					
19-31	Bucket Assembly	15			
MODEL			191364	Nipple	23 25 31
19-32	Bucket Assembly	15			
MODEL			191463	Arm Assembly.	36 13
19-41	Plate Assembly	41			
9N-614	Gasket	43			
8N-638	Valve	16	191471	Clamp Assembly	23 25 27 32 35
		20			
190314	Clamp	23	191472	Bumper	20, 32
		25			16
190331	Bar	17			17
190339	Spring	17	191475	U-Bolt	20 23 25
190353	Link.	17			
190359	Pin	17			
190365	Pin	23, 31	191479	Valve Assembly.	31, 32 22, 31
190369	Knob	23, 31	192021	Coupling.	25, 36
190371	Seal.	20	192025	Bracket	26, 35
		13	192026	Bracket	26, 35
190377	Pin & Clip.	36	192034	Pin.	26, 35
		37			26
		23	192035	Pin	28 35 26
190392	Pipe.	25			
		31	192036	Head	28 35
		20			
190395	Nipple	32	192038	Pipe.	27, 35
		36			26
		37	192039	Cylinder Assembly.	28 35
		20			
190396	Hose	23	192040	Pipe.	25 27 35
		25			
		32			
190454	Nipple	32, 37	192043	Angle	19, 31
190487	Plug.	13			23
190488	Plug.	13	192046	Plate	25 31
190495	Shaft	13			
190600	Connection	16	192054	Elbow.	16
190603	Bracket	16	192063	Shaft	44
190607	Bushing	20, 32	192067	Rod	44
190753	Block.	19	192075	Pin	17
		23	192076	Boom.	44
191164	Union.	25	192088	Cylinder Assembly.	14
		31	192090	Pipe.	16
191181	Ring.	20	192091	Nipple	16
191182	Washer.	20	192092	Pipe.	16
191183	Pin	20	192102	Ell.	20, 32
191184	Ring.	20	192103	Coupling.	27, 35
191338	Bracket	13			23
191345	Lever.	23, 31			25
191356	Lever.	17	192104	Ell.	27 31 35
191357	Clamp Assembly	25, 36			
		23			
191359	Pipe.	25	192107	Nipple	16
		31	192109	Pipe.	25, 35
191360	Pin & Clip.	13			
191362	Link.	23, 31			
191363	Rod	17			

NUMERICAL INDEX (Cont'd)

PART NO.	PART NAME	PAGE NO.	PART NO.	PART NAME	PAGE NO.
192114	Hose	16	192244	Pin	25, 35
		20	192251	Washer.	13
		23	192264	Follower & Ball Assy.. . . .	22
		25	192267	Spring	22
		27	192268	Plug.	22
		32	192269	Seal.	22
		35	192270	Slide	22
192115	Adapter	16	192271	Spring	22
		20	192272	Cap	22
		23	192273	Ring.	22
		25	192277	Spacer	22
		27	192281	Gasket	22
		32	192282	Cap	22
		35	192331	Bucket	41
192116	Valve Assembly.	16	192338	Plate	41
192121	Pipe.	16	192342	Tine.	41
192122	Cylinder.	14	192343	Washer.	43
192125	Shaft	14	192350	Cradle	39
192126	Stop.	14	192361	Yoke	39
192127	Box	14	192363	Roller	39
192128	Packing	28	192364	Spring	40
192129	Gland.	14	192366	Spacer	39
192130	Wiper.	14	192370	Arm.	39
192131	Ring.	14, 28	192380	Arm.	39
192132	Nut	14	192385	Arm Assembly.	39
192137	Cylinder.	28	192390	Arm Assembly.	39
192140	Shaft	28	192391	Link.	39
192141	Washer.	28	192392	Link.	39
192142	Cup	28	192395	Strut	39
192143	Spacer	28	192400	Strut	39
192145	Yoke	28	192402	Brace.	39
192146	Gland.	28	192405	Spacer	39
192147	Nut	28	192410	Frame Assembly	39
192149	Wiper.	28	192423	Chain.	43
192150	Packing	14	192424	Link.	39
192151	Pipe.	23	192426	Spacer	39
		25	192427	Spacer	39
		31	192428	Spacer	39
192153	Plate	13, 19	192429	Spacer	39
192160	Sheave	19, 31	192430	Rod	39
192161	Hub Assembly	19, 31	192431	Pin	39
192164	Insert.	19	192456	Cylinder Assembly.	43
192165	Shaft	19, 31	192460	Bracket	43
192166	Pin	19, 31	192461	Shaft	43
192167	Bolt.	19, 31	192462	Ring.	43
192169	Coupling Assembly.	19	192463	Wiper.	43
192171	Pin	23, 31	192465	Hitch	43
192172	Pin	23, 31	192466	Pin	43
192181	Bracket	16	192470	Rod	43
192199	Flange Assembly	19	192473	Pin	43
192204	Retainer.	24	192474	Clip.	43
192205	Spring	22, 24	192476	Nut	43
192207	Washer.	22	192477	Adapter	43
192213	Spacer	24	192478	Tube Assembly	43
192223	Gasket	24	192479	Tube Assembly	43
192230	Spring	24	192481	Tube Assembly	43
192237	Gasket	24	192483	Tee	43
192242	Link.	25, 35	192484	Hose	43
192243	Pin	25, 35	192504	Pump Assembly.	19, 31

NUMERICAL INDEX (Cont'd)

PART NO.	PART NAME	PAGE NO.	PART NO.	PART NAME	PAGE NO.
192520	Elbow	20, 31	192589	Ring	19
192521	Cap	13	192591	Pin	19
192522	Lever	25, 35	192592	Capscrew	19
192523	Lever	25, 35	192593	Bushing	20, 32
192524	Valve Assembly	24, 35	193603	Frame	13
192544	Pin	13	193636	Spacer	24
192545	Pipe	20, 31	193637	Washer	24
192546	Pipe	23, 31	193641	Gasket	25
		23			16
192547	Pipe	25	193658	Tee	23
		31			25
192548	Pipe	25, 36			31
		15	193642	Seal Assembly	25
192551	Sleeve	26	193645	Bracket	25
		35	193646	Screw	24, 25
192555	Plate	19	193647	Cap	24
192556	Spring	19	193650	Follower	24
192557	Ring	19	193651	Bonnet	24
192558	Washer	19	193652	Ring	24
192559	Body	19	193662	Barrel & Piston Assy.	24
192560	Cover	19	193830	Pin	43
192561	Shaft	19	193831	Pin	43
192562	Seal	19	193976	Pin	40
192563	Housing	19	220070	Boom	45
192564	Rotor	19	220076	Arm	45
192565	Vane	19	300115	Pin	17
192568	Bearing	19	300116	Pin	17
192569	Bearing	19	300353	Set Screw	19
192580	Shaft	13	300376	Bolt	19, 31
192583	Collar	13	300890	Bolt	23, 31

